



# SK32BH THRU SK320BH

## SURFACE MOUNT SCHOTTKY BARRIER RECTIFIERS

**REVERSE VOLTAGE:** 20 to 200 VOLTS

**FORWARD CURRENT:** 3.0 AMPERE

### FEATURES

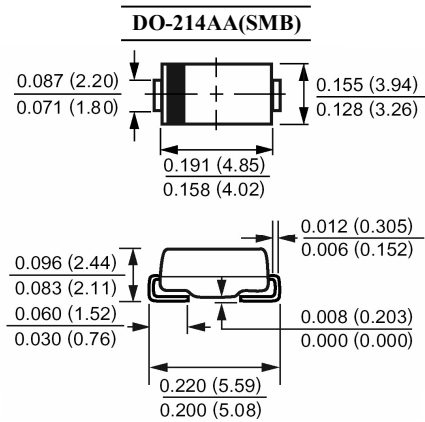
- Plastic package has Underwriters Laboratory Flammability Classification 94V-0
- For surface mounted applications
- High current capacity
- Built-in strain relief
- Low profile package
- Metal to silicon rectifier. majority carrier conduction
- High surge capacity
- Low power loss, high efficiency
- Suffix "H" indicates Halogen-free parts, ex. SK32BH

### MECHANICAL DATA

Case: Molded plastic, DO-214AA(SMB)

Terminals : Solder plated, solderable per MIL-STD-750, method 2026 guaranteed

Polarity: Color band denotes cathode end



Dimensions in inch and (millimeter)

### Maximum Ratings and Electrical Characteristics

Ratings at 25°C ambient temperature unless otherwise specified.

Single phase, half wave, 60Hz, resistive or inductive load.

For capacitive load, derate current by 20%.

Parameter	Symbols	SK32BH	SK34BH	SK35BH	SK36BH	SK38BH	SK310BH	SK315BH	SK320BH	Units
		SK32	SK34	SK35	SK36	SK38	SK310	SK315	SK320	
Marking Code										
Maximum Recurrent Peak Reverse Voltage	$V_{RRM}$	20	40	50	60	80	100	150	200	Volts
Maximum RMS Voltage	$V_{RMS}$	14	28	35	42	56	71	105	140	Volts
Maximum DC Blocking Voltage	$V_{DC}$	20	40	50	60	80	100	150	200	Volts
Maximum Average Forward Rectified Current at $T_L$ (See Fig. 1)	$I_{(AV)}$	3.0								Amp
Peak Forward Surge Current, 8.3ms single half-sine-wave superimposed on rated load (JEDEC method)	$I_{FSM}$	70.0								Amp
Maximum Forward Voltage at 3.0A (Note 1)	$V_F$	0.55		0.75		0.85		0.95		Volts
Maximum Reverse Current at $T_A=25^\circ\text{C}$ at Rated DC Blocking Voltage $T_A=100^\circ\text{C}$	$I_R$	0.5						0.1		mAmp
		20.0				10.0		2.0		
Typical Thermal Resistance (Note 2)	$R_{\theta JA}$	75.0								°C/W
Operating Junction Temperature Range	$T_J$	-55 to +125			-55 to +150					°C
Storage Temperature Range	$T_{stg}$	-55 to +150								°C

NOTES:

1- Pulse test: 300µs pulse width, 1% duty cycle

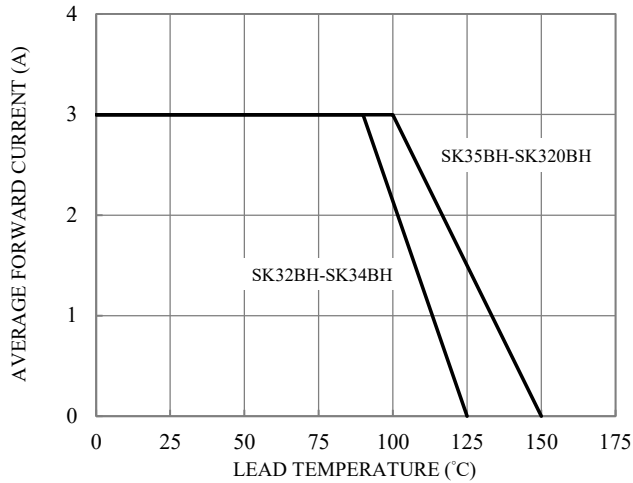
2- Thermal resistance from junction to ambient mounted on P.C.B. with 0.3 x 0.3" (8.0 x 8.0mm) copper pad areas



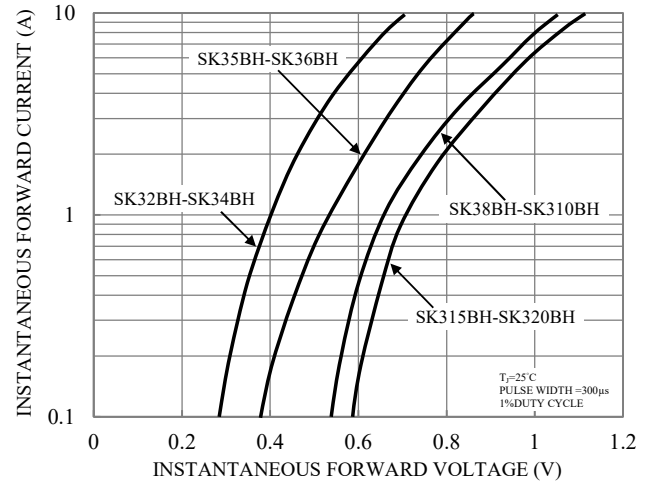
# SK32BH THRU SK320BH

## SURFACE MOUNT SCHOTTKY BARRIER RECTIFIERS

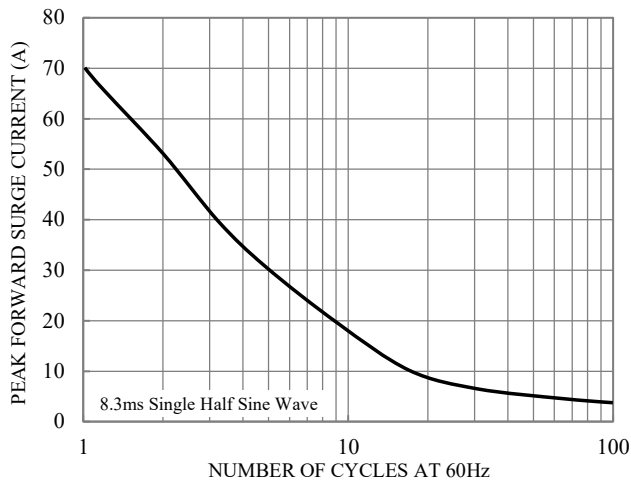
### RATINGS AND CHARACTERISTIC CURVES



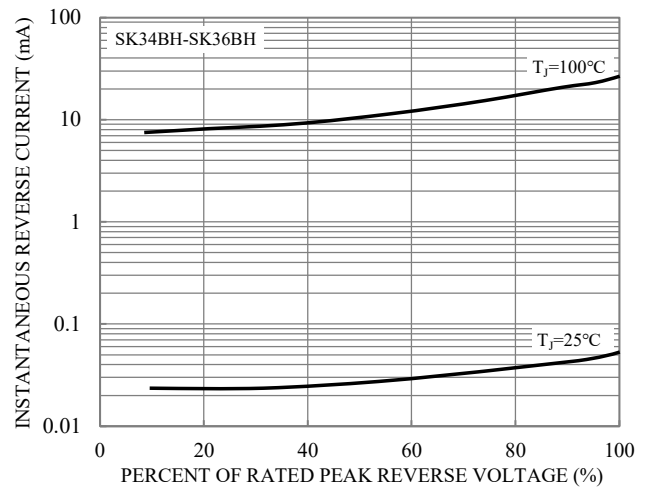
**Fig.1-FORWARD CURRENT DERATING CURVE**



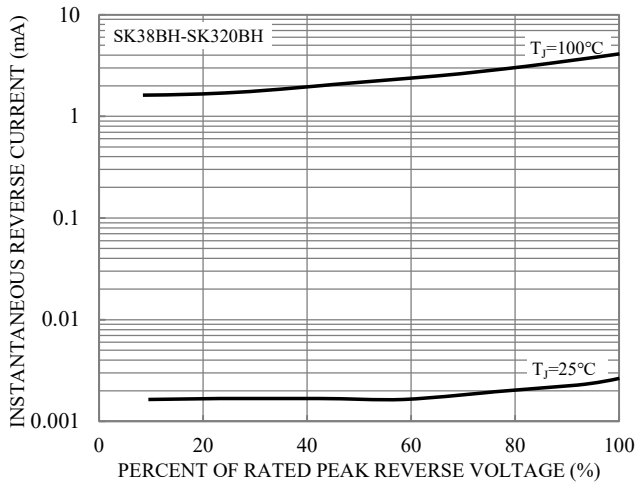
**Fig.2-TYPICAL INSTANTANEOUS FORWARD CHARACTERISTICS**



**Fig.3-MAXIMUM NON-REPETITIVE SURGE CURRENT**



**Fig.4-TYPICAL REVERSE CHARACTERISTICS**



**Fig.5-TYPICAL REVERSE CHARACTERISTICS**