



SK32AH THRU SK320AH

SURFACE MOUNT SCHOTTKY BARRIER RECTIFIER

REVERSE VOLTAGE: 20 to 200 VOLTS
FORWARD CURRENT: 3.0 AMPERE

FEATURES

- Plastic package has Underwriters Laboratory Flammability Classification 94V-O
- For surface mounted applications
- Low profile package
- Low power loss, high efficiency
- High current capacity
- Suffix " H " indicated Halogen-free part, ex.SK32AH

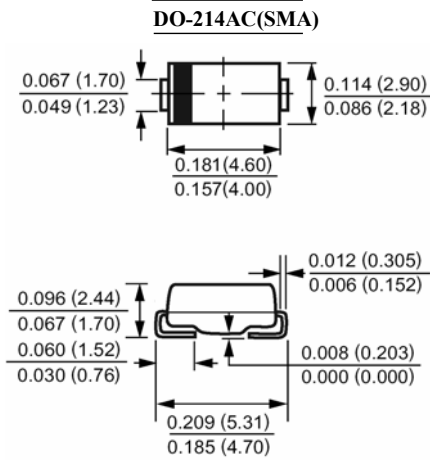
MECHANICAL DATA

Case : Molded plastic, DO-214AC(SMA)

Terminals : Solder plated, solderable per MIL-STD-750, method 2026 guaranteed

Polarity : Color band denotes cathode end

Packaging: 12mm tape per EIA STD RS-481



Dimensions in inchs and (millimeters)

Maximum Ratings and Electrical Characteristics

Ratings at 25°C ambient temperature unless otherwise specified.

Single phase, half wave, 60Hz, resistive or inductive load.

For capacitive load, derate current by 20%.

Parameter	Symbols	SK32AH	SK33AH	SK34AH	SK345AH	SK35AH	SK36AH	SK38AH	SK310AH	SK315AH	SK320AH	Units
		SK32	SK33	SK34	SK345	SK35	SK36	SK38	SK310	SK315	SK320	
Maximum Recurrent Peak Reverse Voltage	V_{RRM}	20	30	40	45	50	60	80	100	150	200	Volts
Maximum RMS Voltage	V_{RMS}	14	21	28	31.5	35	42	56	71	105	140	Volts
Maximum DC Blocking Voltage	V_{DC}	20	30	40	45	50	60	80	100	150	200	Volts
Maximum Average Forward Rectified Current at T_L (See Fig. 1)	$I_{(AV)}$	3.0										Amp
Peak Forward Surge Current, 8.3ms single half-sine-wave superimposed on rated load (JEDEC method)	I_{FSM}	80.0										Amp
Maximum Forward Voltage at 3.0A (Note 1)	V_F	0.55			0.70		0.85		0.95			Volts
Maximum Reverse Current at $T_A=25^\circ\text{C}$ at Rated DC Blocking Voltage $T_A=100^\circ\text{C}$	I_R	0.5										mAmp
Typical Thermal Resistance (Note 2)	$R_{\theta JA}$	55.0										°C/W
	$R_{\theta JL}$	17.0										
Operating Junction Temperature Range	T_J	-65 to +125					-65 to +150					°C
Storage Temperature Range	T_{stg}	-65 to +150										°C

NOTES:

1- Pulse test: 300µs pulse width, 1% duty cycle

2- P.C.B. mounted with 0.55 x 0.55" (14 x 14mm) Copper Pad Areas



SK32AH THRU SK320AH

SURFACE MOUNT SCHOTTKY BARRIER RECTIFIER

RATINGS AND CHARACTERISTIC CURVES

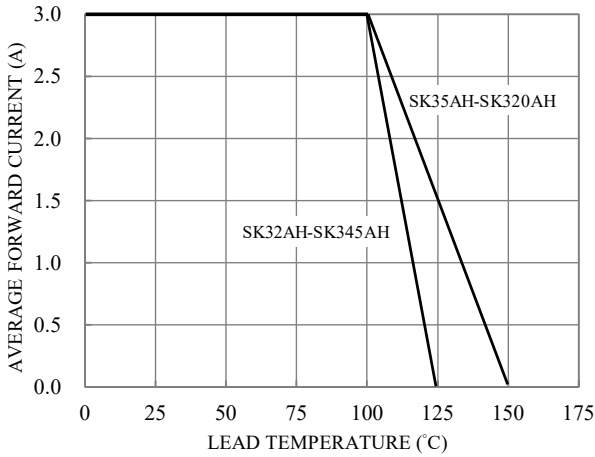


Fig.1-FORWARD CURRENT DERATING CURVE

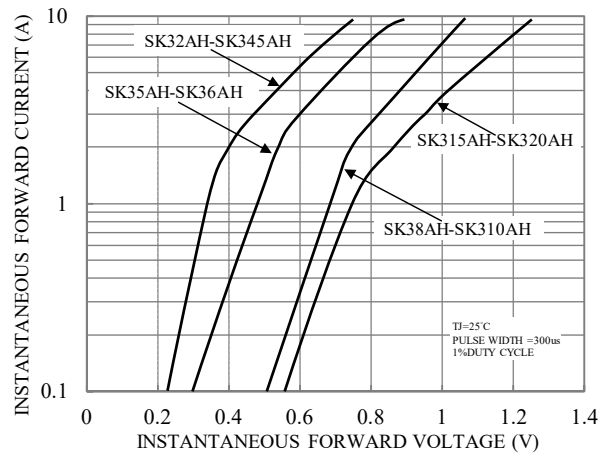


Fig.2-TYPICAL INSTANTANEOUS FORWARD CHARACTERISTICS

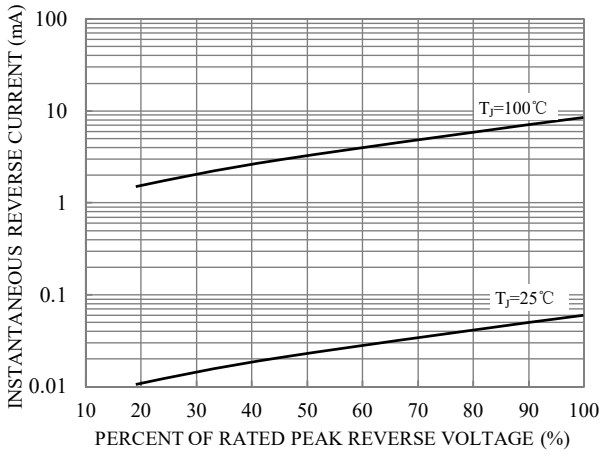


Fig.3-TYPICAL REVERSE CHARACTERISTICS

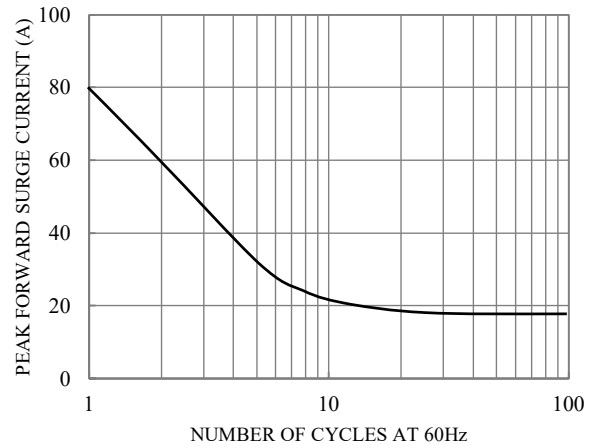


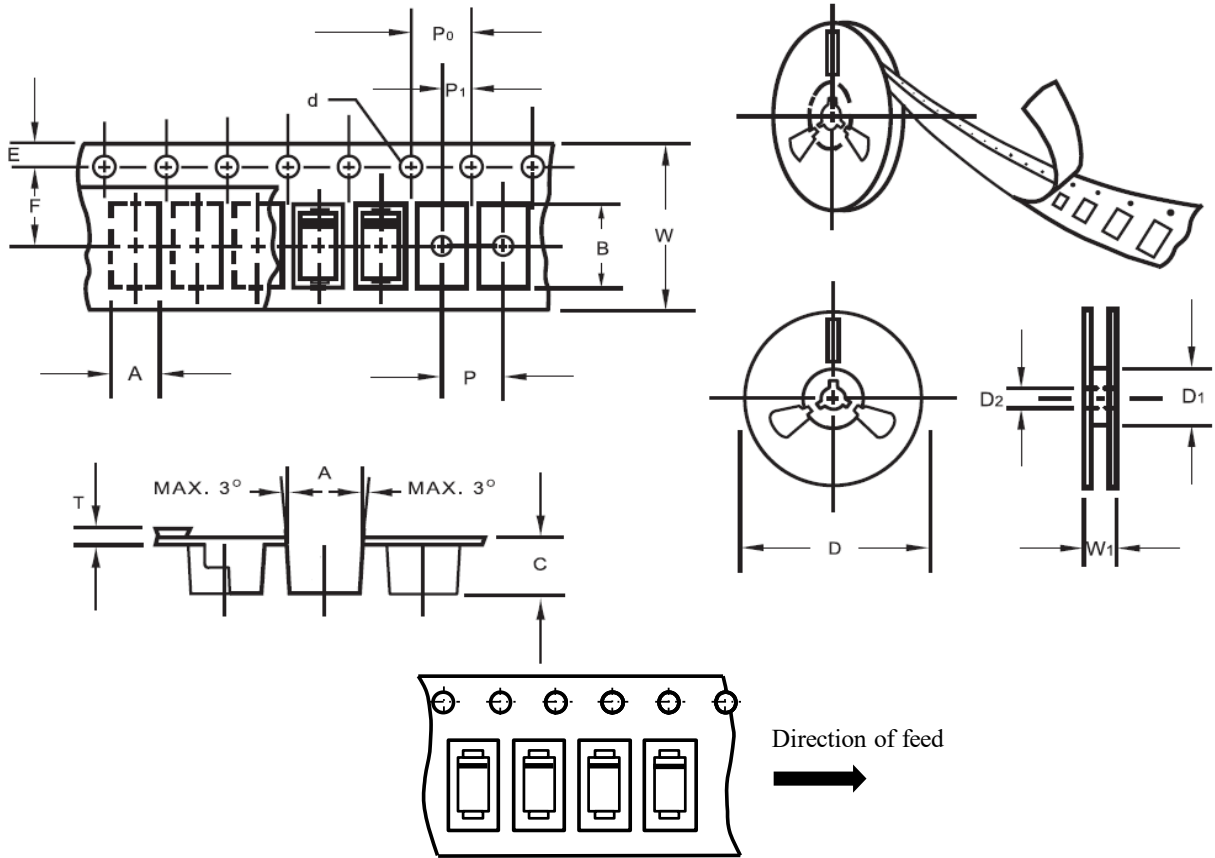
Fig.4-MAXIMUM NON-REPETITIVE SURGE CURRENT



SK32AH THRU SK320AH

SURFACE MOUNT SCHOTTKY BARRIER RECTIFIER

Reel Taping Specifications For Surface Mount Devices



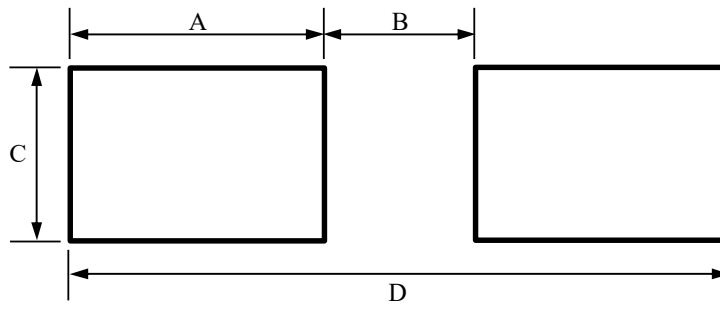
Item	Symbol	DO-214AC (SMA)
Carrier width	A	3.00 ± 0.10
Carrier length	B	5.50 ± 0.10
Carrier depth	C	2.67 ± 0.10
Sprocket hole	d	1.50 ± 0.10
Reel outside diameter	D	330.0 ± 2.0
Reel inner diameter	D1	75.00 ± 1.0
Feed hole diameter	D2	13.00 ± 0.50
Stocket hole position	E	1.50 ± 0.10
Punch hole position	F	5.50 ± 0.10
Punch hole pitch	P	4.00 ± 0.10
Sprocket hole pitch	P0	4.00 ± 0.10
Embossment center	P1	2.00 ± 0.10
Total tape thickness	T	0.25 ± 0.10
Tape width	W	12.00 ± 0.20
Reel width	W1	Max. 18.40



SK32AH THRU SK320AH

SURFACE MOUNT SCHOTTKY BARRIER RECTIFIER

SUGGESTED SOLDER PAD LAYOUT



Unit :mm

PACKAGE	A	B	C	D
DO-214AC (SMA)	2.50	1.50	1.70	6.50