

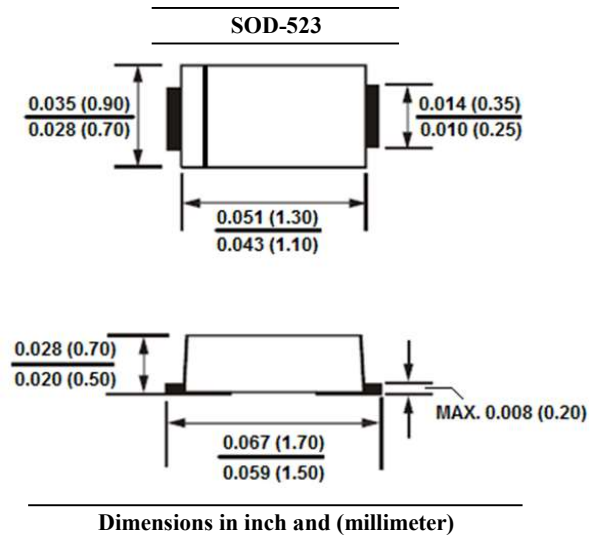


RB751S-40

SCHOTTKY DIODES

FEATURES

- Low Forward Voltage Drop
- Flat Lead SOD-523 Small Outline Plastic Package
- Extremely Small SOD-523 Package
- Surface Device Type Mounting
- Suffix "H" indicates Halogen-free parts, ex. RB751S-40H



Maximum Ratings@ $T_A=25\text{ }^\circ\text{C}$

Parameter	Symbol	Value	Unit
Power Dissipation	P_D	200	mW
Peak Reverse Voltage	V_{RM}	40	V
Reverse Voltage	V_R	30	V
Forward Current	I_F	30	mA
Non-Repetitive Peak Forward Current (at 8.3ms single half sine-wave)	I_{FSM}	200	mA
Thermal Resistance from Junction to Ambient (Note 1)	$R_{\theta JA}$	500	$^\circ\text{C}/\text{W}$
Operating Junction Temperature	T_J	+125	$^\circ\text{C}$
Storage Temperature Range	T_{STG}	-55 to +125	$^\circ\text{C}$

Note :

1. FR-4 board=70×60×1mm. Minmum pad layout.

Electrical Characteristics@ $T_A=25\text{ }^\circ\text{C}$

Parameter	Symbol	Min.	Max.	Unit	Conditions
Breakdown Voltage	B_V	30	--	V	$I_R=10\mu\text{A}$
Reverse Leakage Current	I_R	--	0.5	μA	$V_R=30\text{V}$
Forward Voltage	V_F	--	0.37	V	$I_F=1\text{mA}$



RB751S-40

SCHOTTKY DIODES

Typical Characteristics

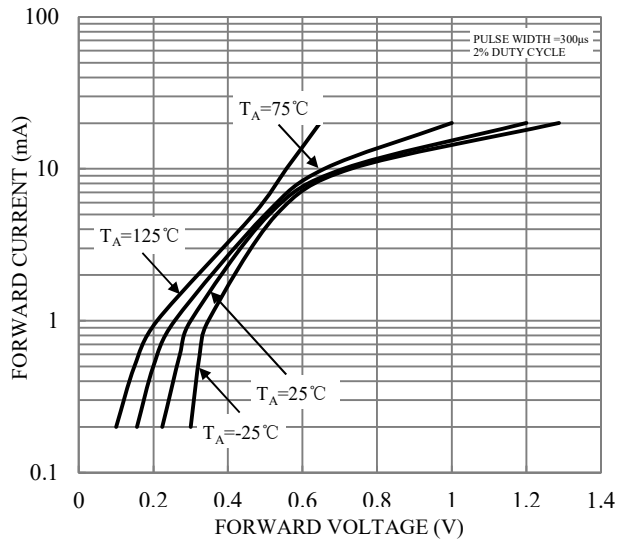


Fig.1-TYPICAL FORWARD CHARACTERISTICS

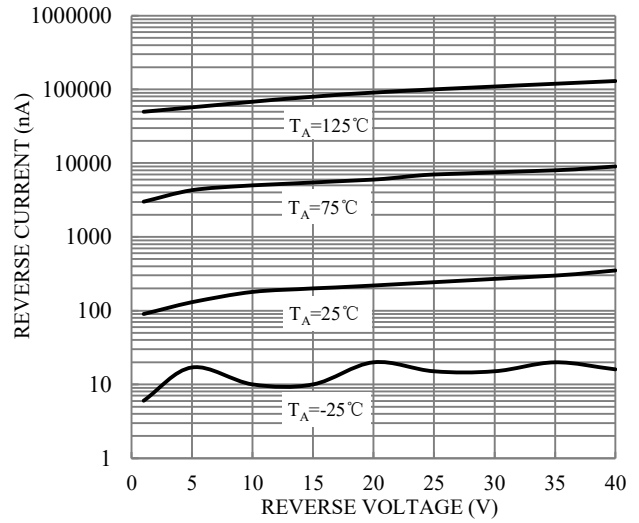


Fig.2-TYPICAL REVERSE CHARACTERISTICS

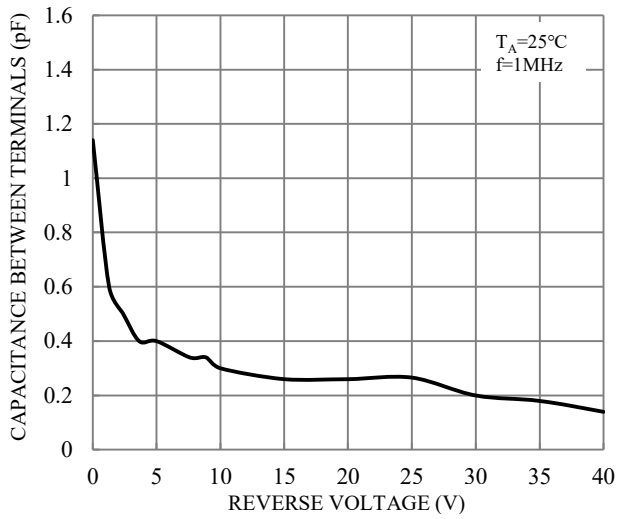


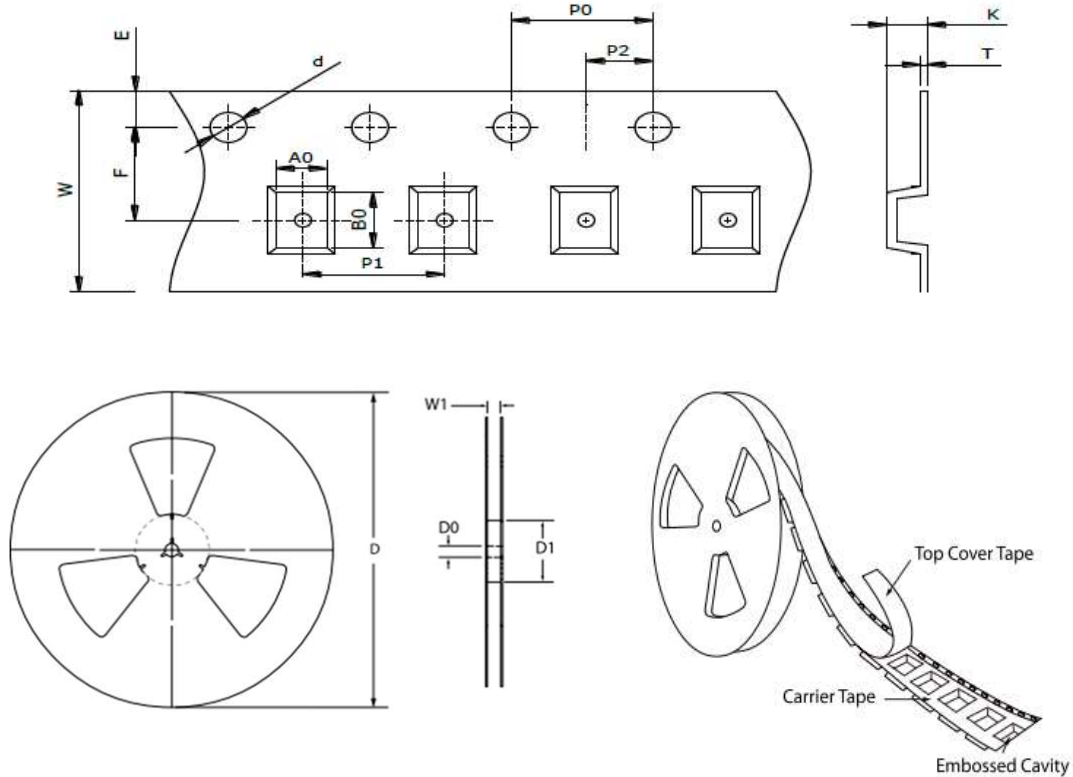
Fig.3-TOTAL CAPACITANCE



RB751S-40

SCHOTTKY DIODES

TAPE & REEL SPECIFICATION



Item	Symbol	SOD-523
Carrier width	A ₀	0.96 ± 0.10
Carrier length	B ₀	1.94 ± 0.10
Carrier depth	K	0.73 ± 0.10
Sprocket hole	d	1.50 ± 0.10
Reel outside diameter	D	178.00 ± 2.00
Feed hole width	D ₀	13.00 ± 0.50
Reel inner diameter	D ₁	MIN. 50.00
Sprocket hole position	E	1.75 ± 0.10
Punch hole position	F	3.50 ± 0.10
Sprocket hole pitch	P ₀	4.00 ± 0.10
Punch hole pitch	P ₁	2.00 ± 0.10
Embossment center	P ₂	2.00 ± 0.10
Overall tape thickness	T	0.20 ± 0.05
Tape width	W	8.00 ± 0.30
Reel width	W1	MAX. 11.00

ORDER INFORMATION

Package	Reel Size	Quantity
SOD-523	7"	4,000
		8,000

MARKING CODE

Part Number	Marking Code
RB751S-40	D / 4B