

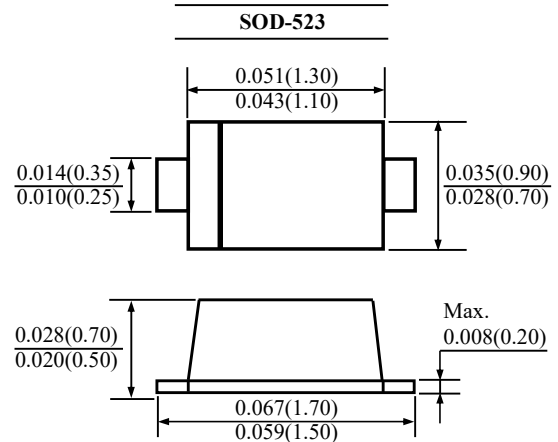


RB520S-30H

SCHOTTKY DIODE

FEATURES

- Low Forward Voltage Drop
- Flat Lead SOD-523 Small Outline Plastic Package
- Extremely Small SOD-523 Package
- Surface Device Type Mounting
- Suffix "H" indicates Halogen-free parts, ex. RB520S-30H



Dimensions in inch and (millimeter)

Maximum Ratings@ $T_A=25\text{ }^\circ\text{C}$

Parameter	Symbol	Value	Unit
Power Dissipation	P_D	200	mW
Reverse Voltage	V_R	30	V
Average Forward Current	$I_{F(AV)}$	200	mA
Peak Forward Surge Current (At 8.3ms single half sine-wave)	I_{FSM}	1.0	A
Operating Junction Temperature	T_J	+125	$^\circ\text{C}$
Storage Temperature Range	T_{STG}	-55 to +125	$^\circ\text{C}$

Electrical Characteristics@ $T_A=25\text{ }^\circ\text{C}$

Parameter	Conditions	Symbol	Min.	Max.	Unit
Breakdown Voltage	$I_R=500\mu\text{A}$	B_V	30	-	V
Reverse Current	$V_R=10\text{V}$	I_R	-	1	μA
Forward Voltage	$I_F=200\text{mA}$	V_F	-	0.6	V



RB520S-30H

SCHOTTKY DIODE

RATINGS AND CHARACTERISTIC CURVES

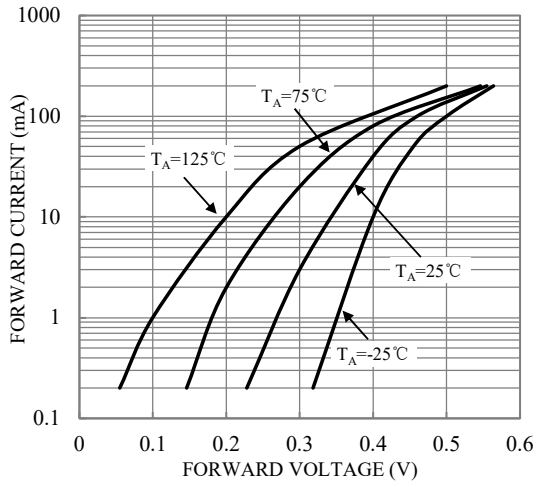


Fig.1-TYPICAL FORWARD CHARACTERISTICS

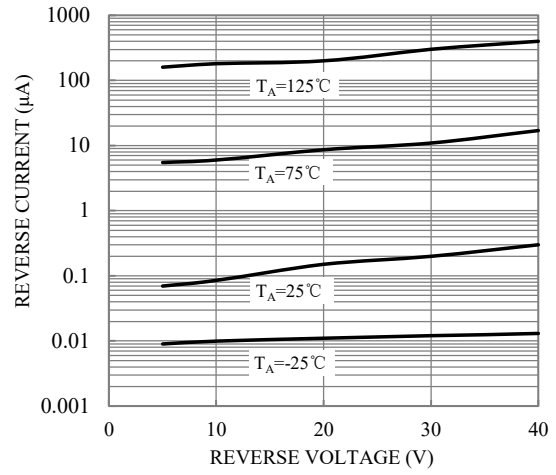


Fig.2-TYPICAL REVERSE CHARACTERISTICS

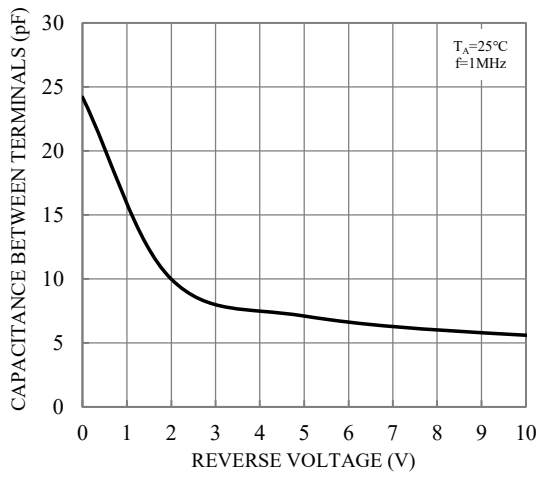


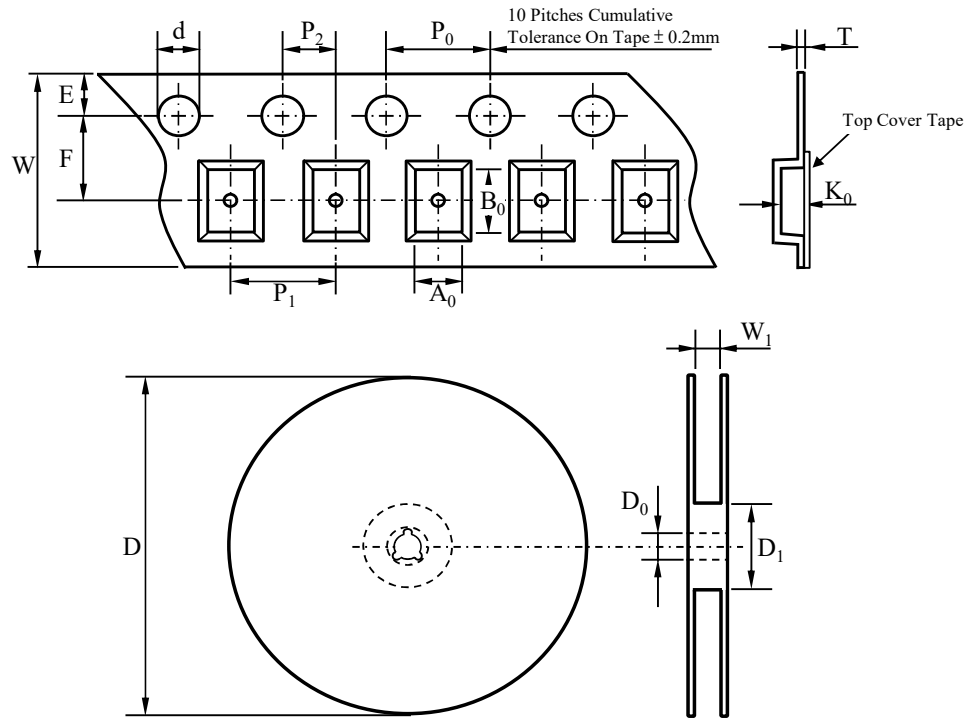
Fig.3-TOTAL CAPACITANCE



RB520S-30H

SCHOTTKY DIODE

TAPE & REEL SPECIFICATION



Item	Symbol	SOD-523
Carrier width	A ₀	0.95 ± 0.10
Carrier length	B ₀	1.95 ± 0.10
Carrier depth	K ₀	0.73 ± 0.10
Sprocket hole	d	1.50 ± 0.10
Reel outside diameter	D	178.00 ± 2.00
Feed hole width	D ₀	13.00 ± 0.50
Reel inner diameter	D ₁	MIN. 50.00
Sprocke hole position	E	1.75 ± 0.10
Punch hole position	F	3.50 ± 0.10
Sprocke hole pitch	P ₀	4.00 ± 0.10
Punch hole pitch	P ₁	2.00 ± 0.10
Embossment center	P ₂	2.00 ± 0.10
Overall tape thickness	T	0.20 ± 0.05
Tape width	W	8.00 ± 0.30
Reel width	W ₁	MAX. 11.00

ORDER INFORMATION

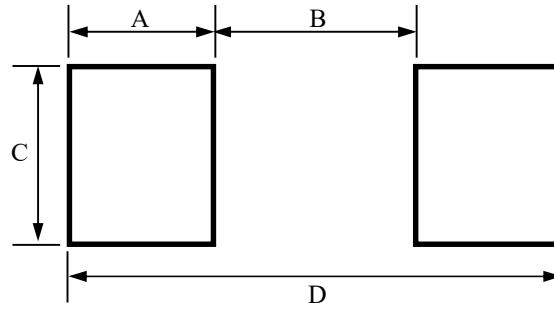
Part Number	Marking Code	Reel Size	Quantity
RB520S-30H	B	7"	3,000



RB520S-30H

SCHOTTKY DIODE

SUGGESTED SOLDER PAD LAYOUT



Unit :mm

PACKAGE	A	B	C	D
SOD-523	0.60	0.85	0.70	2.05