

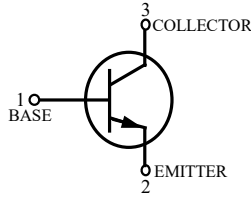


MMBT4401H

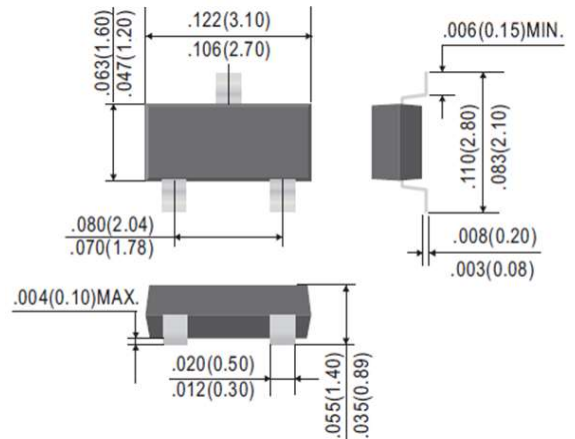
NPN TRANSISTOR

FEATURES

- Suffix "H" indicates Halogen-free parts, ex. MMBT4401H



SOT-23



Dimensions in inch and (millimeter)

Maximum Ratings ($T_A = 25^\circ\text{C}$ unless otherwise noted)

Parameter	Symbol	Value	Unit
Collector Base Voltage	V_{CBO}	60	V
Collector Emitter Voltage	V_{CEO}	40	V
Emitter Base Voltage	V_{EBO}	6	V
Collector Current	I_C	0.6	A
Power Dissipation	P_D	300	mW
Thermal Resistance from Junction to Ambient (Note 1)	$R_{\theta JA}$	417	$^\circ\text{C}/\text{W}$
Junction Temperature	T_J	150	$^\circ\text{C}$
Storage Temperature Range	T_{stg}	- 55 to + 150	$^\circ\text{C}$

Note :

1. Device mounted on FR-4 substrate PC board, 2oz copper, with minimum recommended pad layout.



MMBT4401H

NPN TRANSISTOR

Electrical Characteristics ($T_A = 25\text{ }^\circ\text{C}$ unless otherwise specified)

Parameter	Conditions	Symbol	Min.	Max.	Unit
DC Current	$V_{CE}=1\text{V}, I_C=0.1\text{mA}$	h_{FE}	20	-	-
	$V_{CE}=1\text{V}, I_C=1\text{mA}$		40	-	
	$V_{CE}=1\text{V}, I_C=10\text{mA}$		80	-	
	$V_{CE}=1\text{V}, I_C=150\text{mA}$		100	300	
	$V_{CE}=2\text{V}, I_C=500\text{mA}$		40	-	
Collector Base Cutoff Current	$V_{CB}=35\text{V}$	I_{CBO}	-	0.1	μA
Emitter Base Cutoff Current	$V_{EB}=5\text{V}$	I_{EBO}	-	0.1	μA
Collector Base Breakdown Voltage	$I_C=0.1\text{mA}$	$V_{(BR)CBO}$	60	-	V
Collector Emitter Breakdown Voltage	$I_C=1\text{mA}$	$V_{(BR)CEO}$	40	-	V
Emitter Base Breakdown Voltage	$I_E=0.1\text{mA}$	$V_{(BR)EBO}$	6	-	V
Collector Emitter Saturation Voltage	$I_C=150\text{mA}, I_B=15\text{mA}$	$V_{CE(sat)}$	-	0.40	V
	$I_C=500\text{mA}, I_B=50\text{mA}$		-	0.75	
Base Emitter Saturation Voltage	$I_C=150\text{mA}, I_B=15\text{mA}$	$V_{BE(sat)}$	0.75	0.95	V
	$I_C=500\text{mA}, I_B=50\text{mA}$		-	1.20	
Transition Frequency	$V_{CE}=10\text{V}, I_C=20\text{mA}, f=100\text{MHz}$	f_T	250	-	MHz
Collector output Capacitance	$V_{CB}=5\text{V}, f=1\text{MHz}$	C_{ob}	-	6.5	pF
Delay Time	$V_{CC}=30\text{V}, I_C=150\text{mA}, I_{B1}=15\text{mA}, V_{EB}=2\text{V}$	t_d	-	15	ns
Rise Time		t_r	-	20	
Storage Time		t_s	-	225	
Fall Time		t_f	-	30	



MMBT4401H

NPN TRANSISTOR

RATINGS AND CHARACTERISTIC CURVES

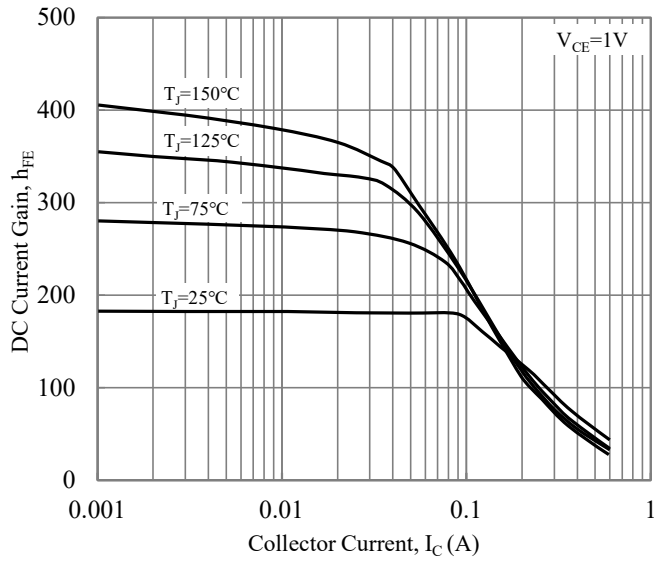


Fig. 1 Current Gain vs. Collector Current

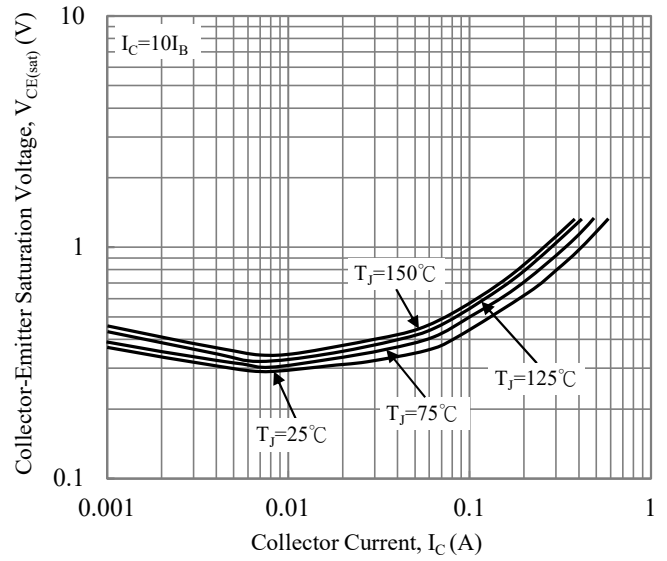


Fig. 2 Collector-Emitter Saturation Voltage vs. Collector Current

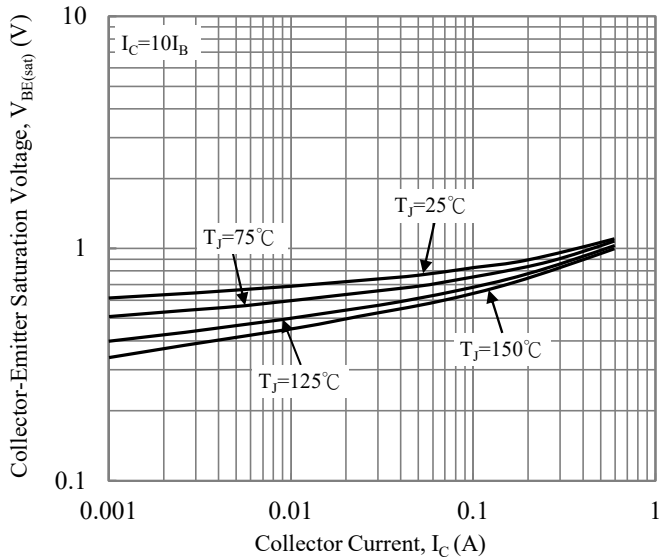


Fig. 3 Base-Emitter Saturation Voltage vs. Collector Current

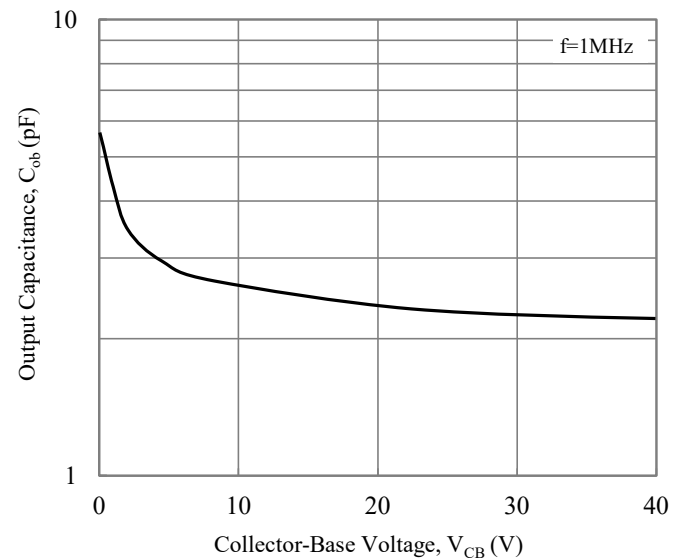


Fig. 4 Output Capacitance

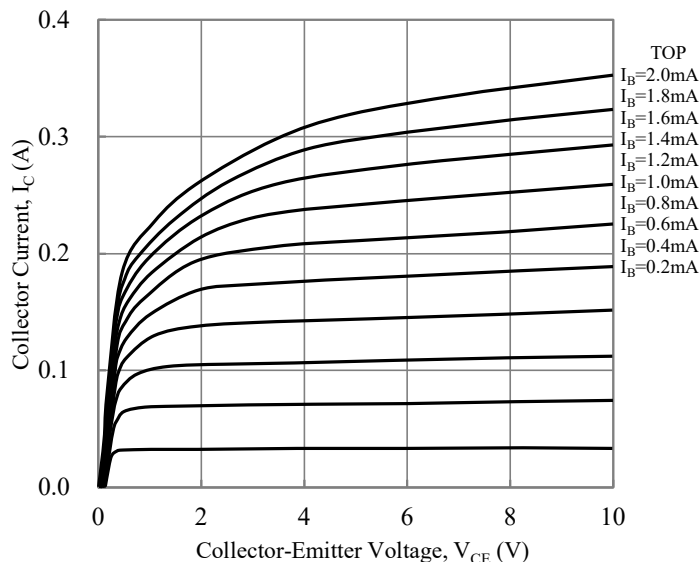


Fig. 5 Output Characteristics Curves

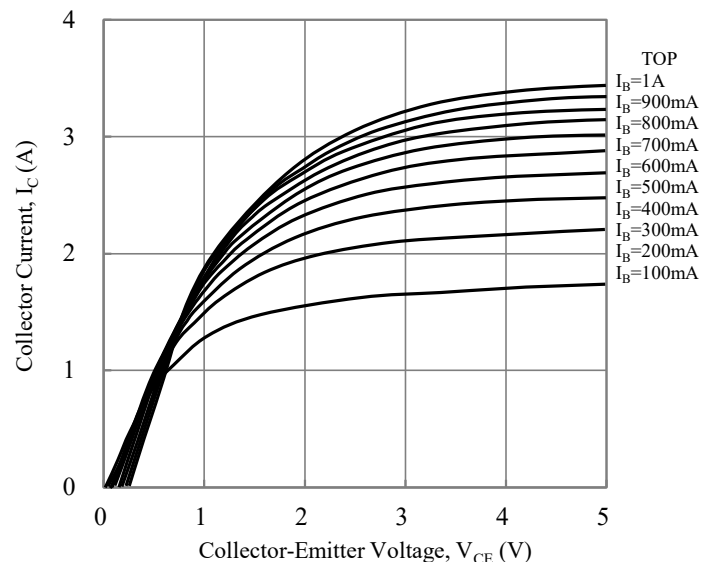


Fig. 6 Output Characteristics Curves



MMBT4401H

NPN TRANSISTOR

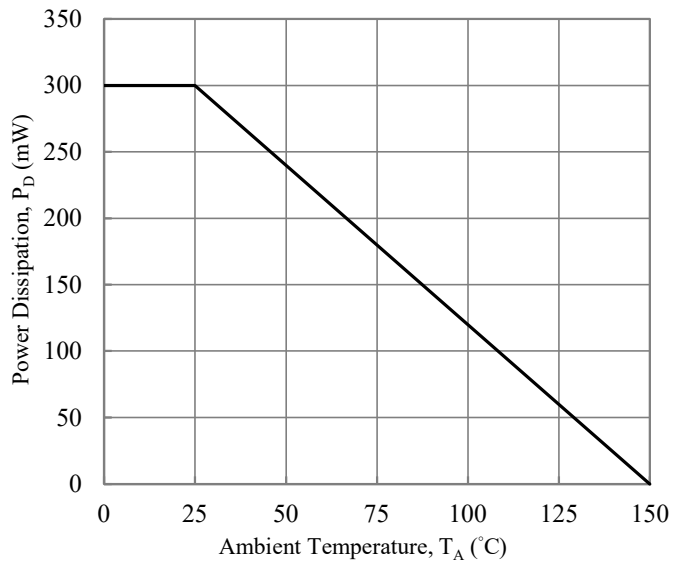


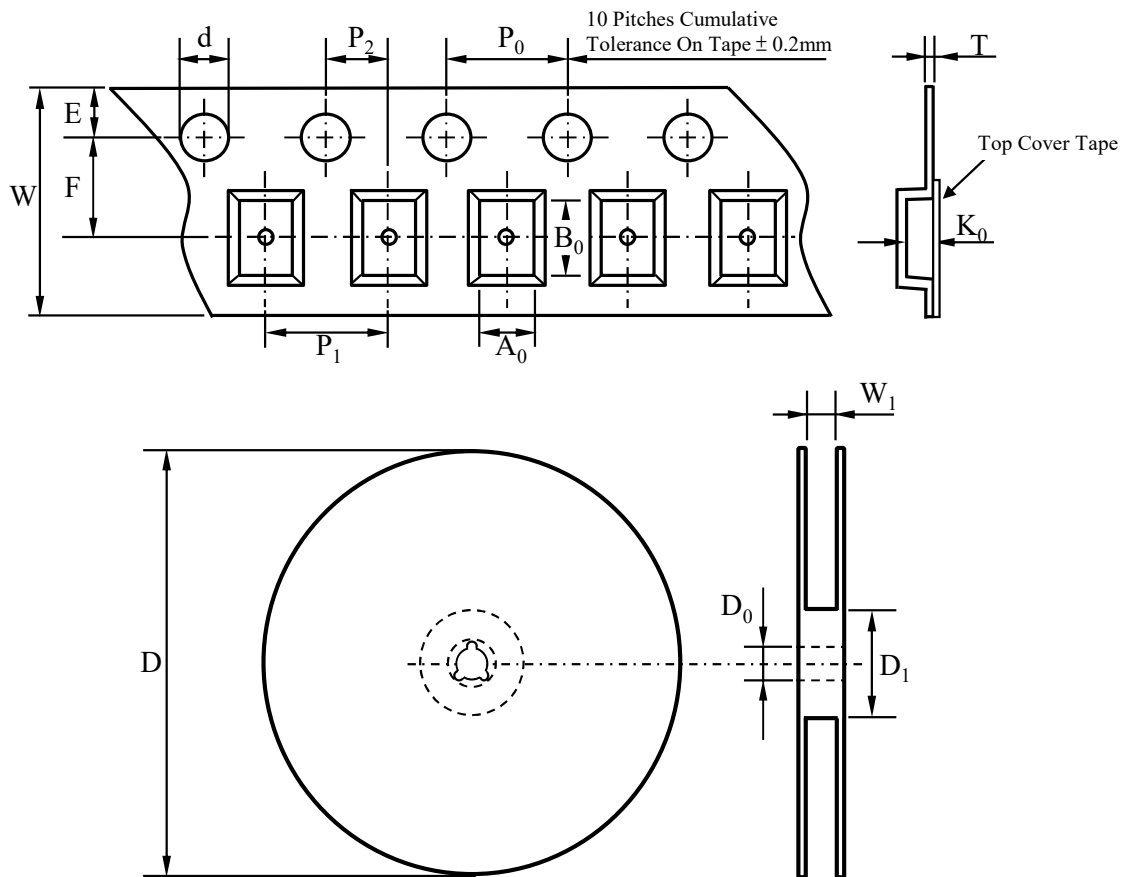
Fig. 7 Power Derating Curves



MMBT4401H

NPN TRANSISTOR

TAPE & REEL SPECIFICATION



Item	Symbol	SOT-23
Carrier width	A_0	*
Carrier length	B_0	
Carrier depth	K_0	
Sprocket hole	d	1.50 ± 0.10
Reel outside diameter	D	178.00 ± 2.00
Feed hole width	D_0	13.00 ± 0.50
Reel inner diameter	D_1	MIN. 50.00
Sprocket hole position	E	1.75 ± 0.10
Punch hole position	F	3.50 ± 0.10
Sprocket hole pitch	P_0	4.00 ± 0.10
Punch hole pitch	P_1	4.00 ± 0.10
Embossment center	P_2	2.00 ± 0.10
Overall tape thickness	T	0.20 ± 0.05
Tape width	W	8.00 ± 0.20
Reel width	W_1	MAX. 14.50

Note *: A_0 , B_0 , and K_0 are determined by component size. The clearance between the components and the cavity must be within 0.05 mm min. to 0.5 mm max.

ORDER INFORMATION

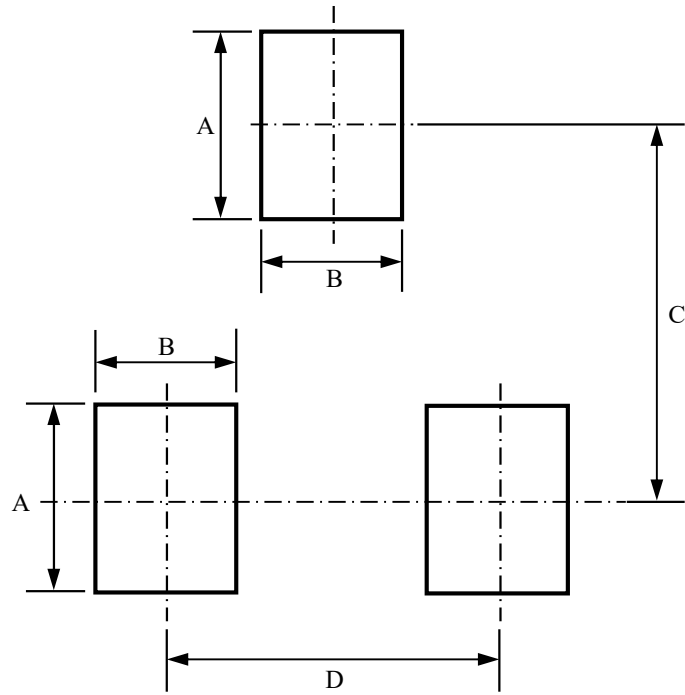
Part Number	Marking Code	Reel Size	Quantity
MMBT4401H	2X	7"	3,000



MMBT4401H

NPN TRANSISTOR

SUGGESTED SOLDER PAD LAYOUT



Unit :mm

PACKAGE	A	B	C	D
SOT-23	1.00	0.80	2.00	1.90