

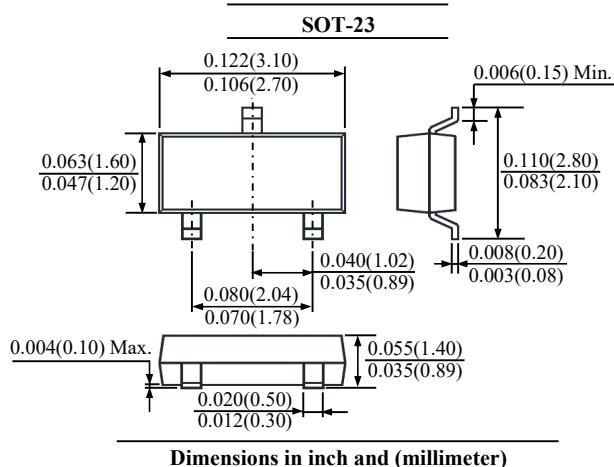
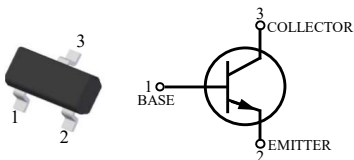


MMBT1815OH / YH / GH / LH

NPN TRANSISTORS

FEATURES

· Suffix "H" indicates Halogen-free parts, ex.2SC3356QH



Maximum Ratings ($T_A = 25\text{ }^\circ\text{C}$ unless otherwise noted)

Parameter	Symbol	Value	Unit
Collector Base Voltage	V_{CBO}	60	V
Collector Emitter Voltage	V_{CEO}	50	V
Emitter Base Voltage	V_{EBO}	5	V
Collector Current	I_C	150	mA
Base Current	I_B	50	mA
Power Dissipation	P_D	200	mW
Thermal Resistance from Junction to Ambient (Note 1)	$R_{\theta JA}$	625	$^\circ\text{C}/\text{W}$
Junction Temperature	T_J	150	$^\circ\text{C}$
Storage Temperature Range	T_{stg}	- 55 to + 150	$^\circ\text{C}$

Note :

1. Device mounted on FR-4 substrate PC board, 2oz copper, with minimum recommended pad layout.

Electrical Characteristics ($T_A = 25\text{ }^\circ\text{C}$ unless otherwise specified)

Parameter	Conditions	Symbol	Min.	Typ.	Max.	Unit
DC Current	O $V_{CE}=6\text{V}, I_C=2\text{mA}$	h_{FE}	70	-	140	-
	Y		120	-	240	-
	G		200	-	400	-
	L $V_{CE}=6\text{V}, I_C=150\text{mA}$		350	-	700	-
Collector Base Cutoff Current	$V_{CB}=60\text{V}$	I_{CBO}	-	-	0.1	μA
Emitter Base Cutoff Current	$V_{EB}=5\text{V}$	I_{EBO}	-	-	0.1	μA
Collector Base Breakdown Voltage	$I_C=50\mu\text{A}$	$V_{(BR)CBO}$	60	-	-	V
Collector Emitter Breakdown Voltage	$I_C=1\text{mA}$	$V_{(BR)CEO}$	50	-	-	V
Emitter Base Breakdown Voltage	$I_E=50\mu\text{A}$	$V_{(BR)EBO}$	5	-	-	V
Collector Emitter Saturation Voltage	$I_C=100\text{mA}, I_B=10\text{mA}$	$V_{CE(sat)}$	-	-	0.25	V
Base Emitter Saturation Voltage	$I_C=100\text{mA}, I_B=10\text{mA}$	$V_{BE(sat)}$	-	-	1	V
Gain Bandwidth Product	$V_{CE}=10\text{V}, I_C=1\text{mA}$	f_T	80	-	-	GHz
Collector Output Capacitance	$V_{CB}=10\text{V}, f=1\text{MHz}$	C_{ob}	-	2	-	pF



MMBT1815OH / YH / GH / LH

NPN TRANSISTORS

RATINGS AND CHARACTERISTIC CURVES

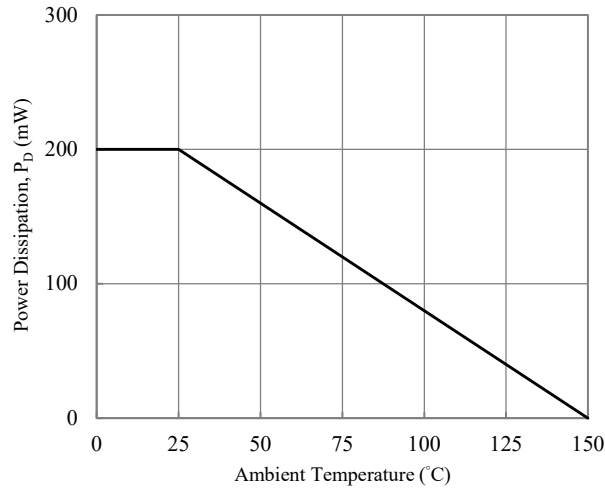


Fig. 1 Power Derating Curves

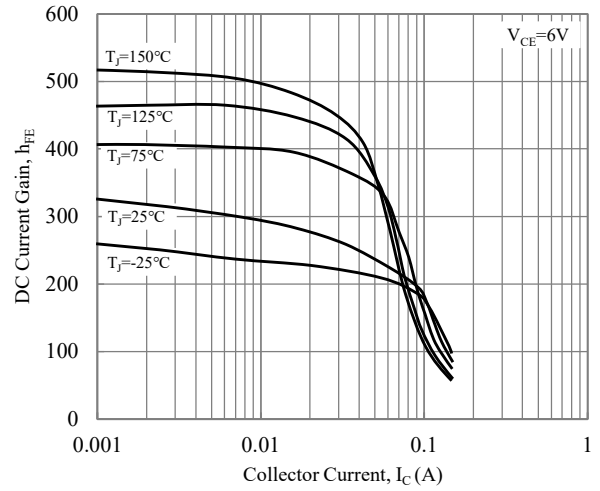


Fig. 2 Current Gain vs. Collector Current

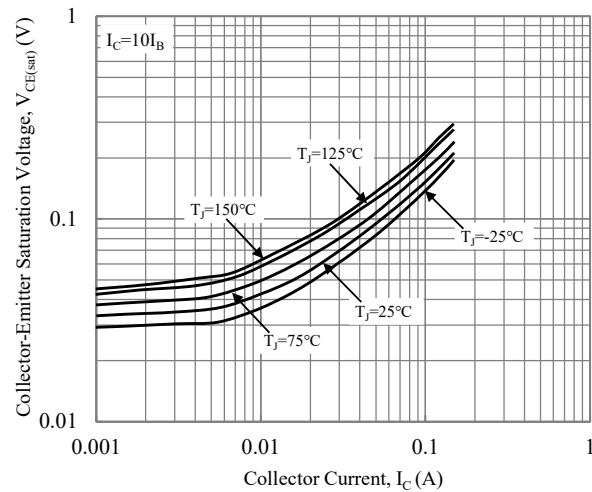


Fig. 3 Collector-Emitter Saturation Voltage vs. Collector Current

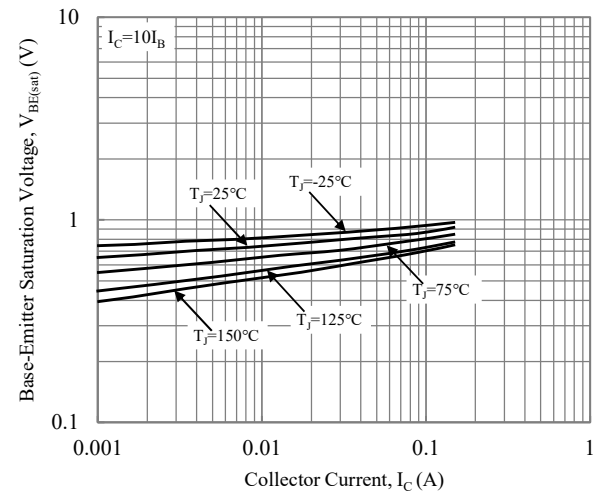


Fig. 4 Base-Emitter Saturation Voltage vs. Collector Current

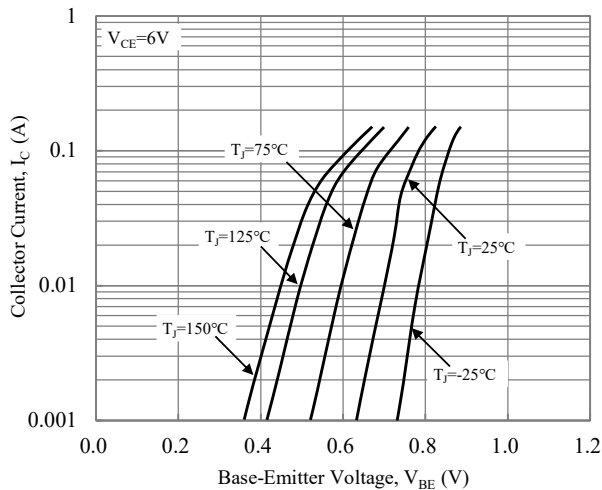


Fig. 5 Base-Emitter Voltage vs. Collector Current

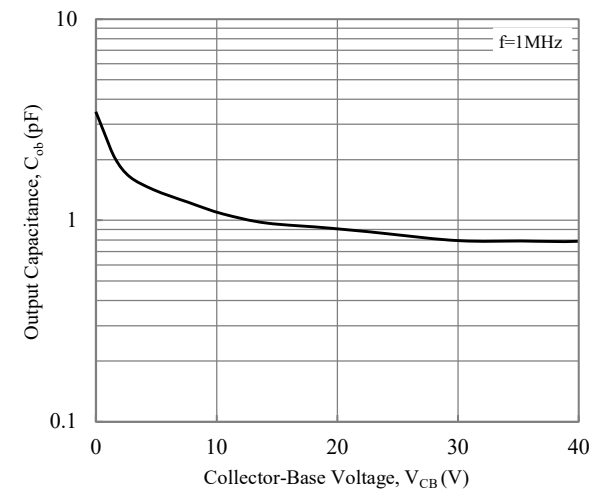


Fig. 6 Output Capacitance



MMBT1815OH / YH / GH / LH

NPN TRANSISTORS

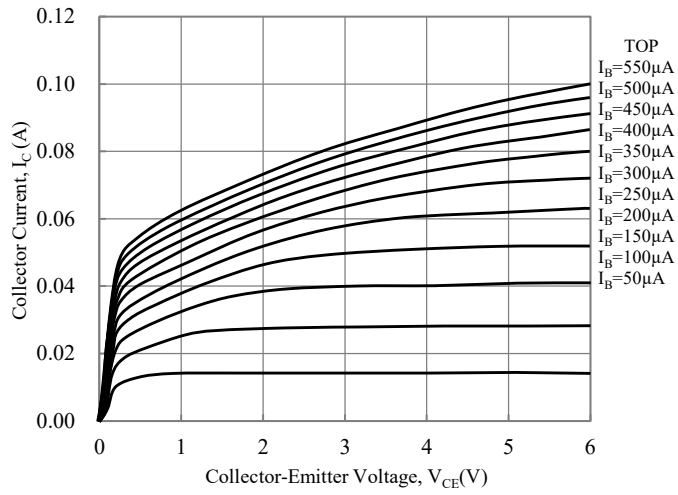


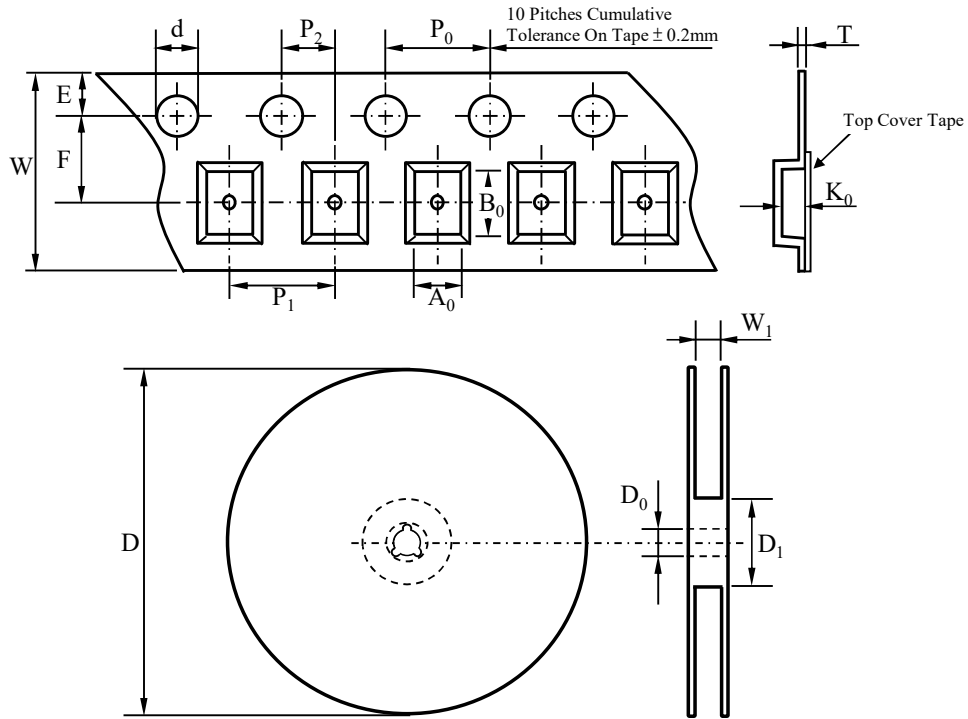
Fig. 7 Collector-Emitter Voltage vs. Collector Current



MMBT1815OH / YH / GH / LH

NPN TRANSISTORS

TAPE & REEL SPECIFICATION



Item	Symbol	SOT-23
Carrier width	A_0	*
Carrier length	B_0	
Carrier depth	K_0	
Sprocket hole	d	1.50 ± 0.10
Reel outside diameter	D	178.00 ± 2.00
Feed hole width	D_0	13.00 ± 0.50
Reel inner diameter	D_1	MIN. 50.00
Sprocket hole position	E	1.75 ± 0.10
Punch hole position	F	3.50 ± 0.10
Sprocket hole pitch	P_0	4.00 ± 0.10
Punch hole pitch	P_1	4.00 ± 0.10
Embossment center	P_2	2.00 ± 0.10
Overall tape thickness	T	0.20 ± 0.05
Tape width	W	8.00 ± 0.20
Reel width	W_1	MAX. 14.50

Note *: A_0 , B_0 , and K_0 are determined by component size. The clearance between the components and the cavity must be within 0.05 mm min. to 0.5 mm max.

ORDER INFORMATION

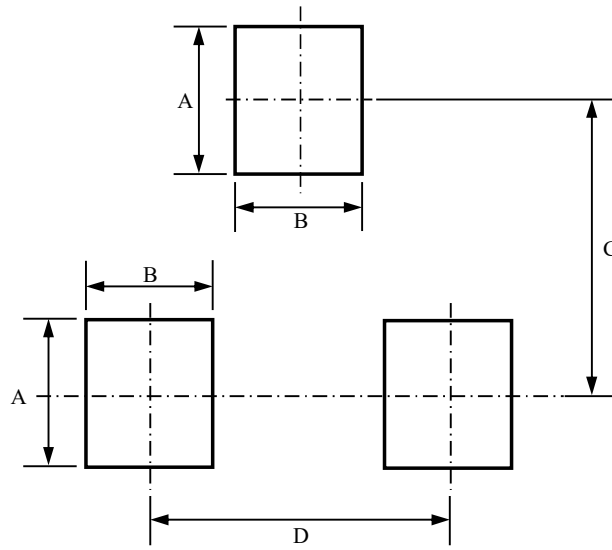
Part Number	Marking Code	Reel Size	Quantity
MMBT1815OH	2E	7"	3,000
MMBT1815YH	1E		
MMBT1815GH	1F		
MMBT1815LH	1G		



MMBT1815OH / YH / GH / LH

NPN TRANSISTORS

SUGGESTED SOLDER PAD LAYOUT



Unit :mm

PACKAGE	A	B	C	D
SOT-23	1.00	0.80	2.00	1.90