



# HER201 THRU HER208

## HIGH EFFICIENCY RECTIFIER

**REVERSE VOLTAGE:** 50 to 1000 VOLTS

**FORWARD CURRENT:** 2.0 AMPERE

### FEATURES

- Plastic package has Underwriters Laboratory Flammability Classification 94V-O utilizing Flame Retardant Epoxy Molding Compound.
- Ultra Fast switching for high efficiency.
- High speed switching
- Suffix "H" indicates Halogen-free parts, ex. HER201H

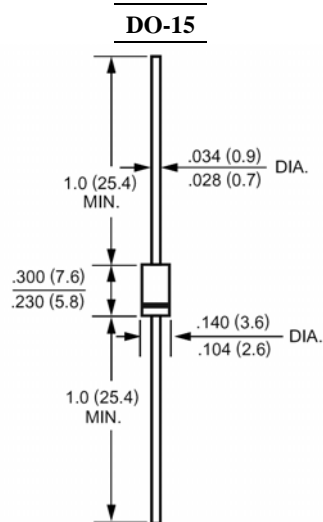
### MECHANICAL DATA

Case : Molded plastic, DO-15

Terminals : Axial leads, solderable per MIL-STD-202, method 208 guaranteed

Polarity : Band denotes cathode

Mounting position : Any



Dimensions in inches and (millimeters)

### Maximum Ratings and Electrical Characteristics

Ratings at 25°C ambient temperature unless otherwise specified.

Single phase, half wave, 60Hz, resistive or inductive load.

For capacitive load, derate current by 20%.

Parameter	Symbols	HER201	HER202	HER203	HER204	HER205	HER206	HER207	HER208	Units	
Maximum Recerrent Peak Reverse Voltage	$V_{RRM}$	50	100	200	300	400	600	800	1000	Volts	
Maximum RMS Voltage	$V_{RMS}$	35	70	140	210	280	420	560	700	Volts	
Maximum DC Blocking Voltage	$V_{DC}$	50	100	200	300	400	600	800	1000	Volts	
Maximum Average Forward Rectified Current .375"(9.5mm) Lead Length	$I_{(AV)}$	2.0								Amp	
Peak Forward Surge Current, 8.3ms single half-sine-wave superimposed on rated load (JEDEC method)	$I_{FSM}$	60.0								Amp	
Maximum Forward Voltage at 2.0A and $T_A=25^\circ\text{C}$	$V_F$	1.0			1.3		1.7			Volts	
Maximum Reverse Current at $T_J=25^\circ\text{C}$ at Rated DC Blocking Voltage $T_J=100^\circ\text{C}$	$I_R$					5.0					uAmp
Typical Junction Capacitance (Note 1)	$C_J$	50				35				pF	
Maximum Reverse Recovery Time (Note 2)	$T_{RR}$	50				75				nS	
Typical Thermal Resistance (Note 3)	$R_{\theta JA}$	60.0								°C/W	
Operating and Storage Temperature Range	$T_J, T_{stg}$	-65 to +150								°C	

#### NOTES:

1- Measured at 1 MHz and applied reverse voltage of 4.0 VDC.

2- Reverse Recovery Test Conditions:  $I_F=5A$ ,  $I_R=1A$ ,  $I_{RR}=25A$ .

3- Thermal Resistance form junction to Ambient at 0.375"(9.5mm) lead length P.C.B. Mounted.

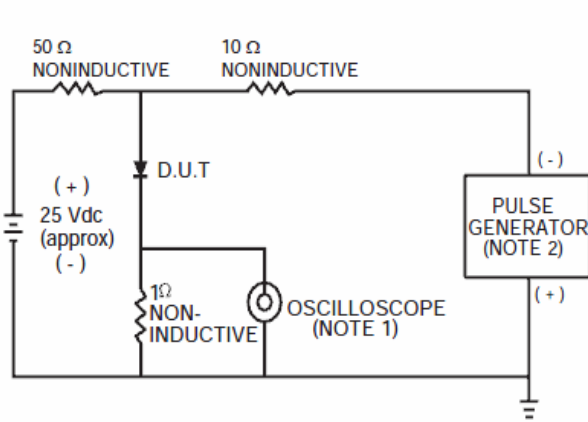


# HER201 THRU HER208

## HIGH EFFICIENCY RECTIFIER

### RATINGS AND CHARACTERISTIC CURVES

FIG.1 TEST CIRCUIT DIAGRAM AND REVERSE RECOVERY TIME CHARACTERISTIC



- NOTES: 1 Rise Time = 7ns max. Input Impedance = 1 megohm, 22pF.  
 2. Rise Time = 10ns max. Source Impedance = 50 ohms.

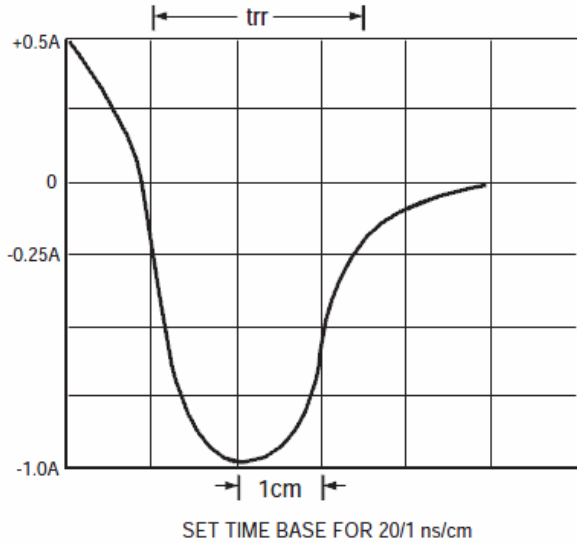


FIG.2 TYPICAL FORWARD CURRENT DERATING CURVE

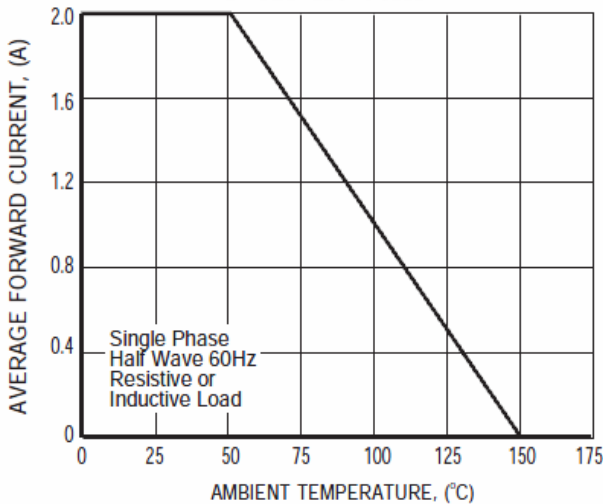


FIG.3 TYPICAL REVERSE CHARACTERISTICS

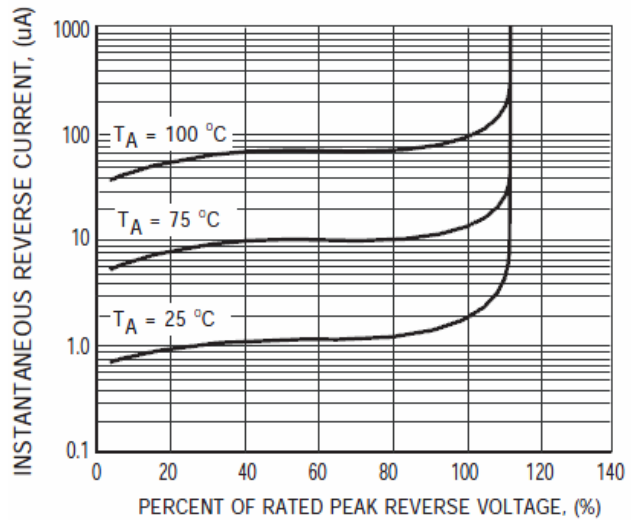


FIG.4 TYPICAL INSTANTANEOUS FORWARD CHARACTERISTICS

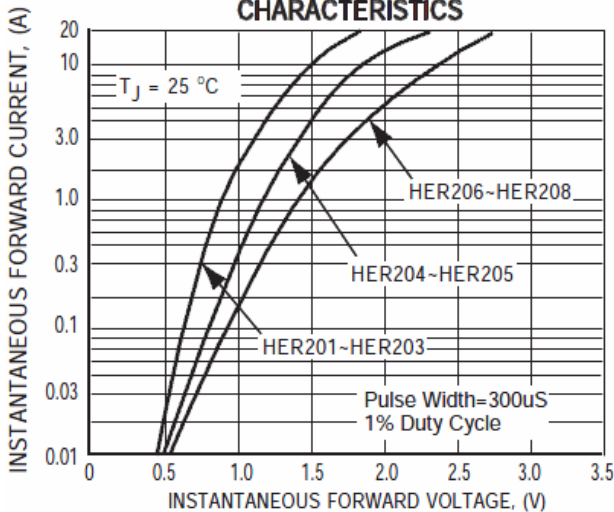


FIG.5 MAXIMUM NON-REPETITIVE FORWARD SURGE CURRENT

