

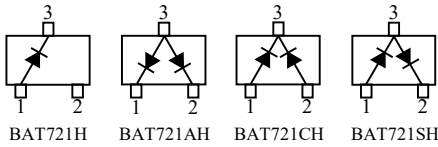


BAT721H / AH / CH / SH

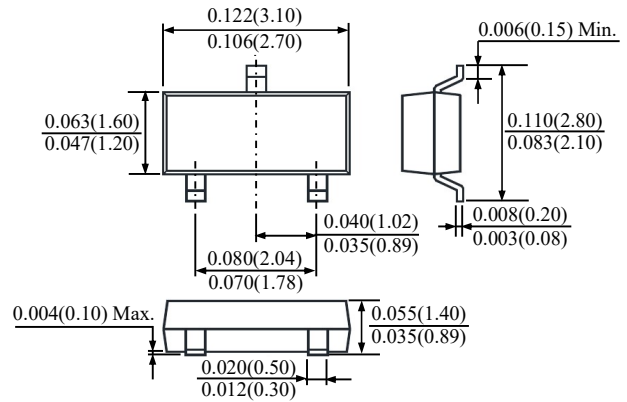
SCHOTTKY BARRIER DIODES

FEATURES

· Suffix "H" indicates Halogen-free parts, ex. BAT721H.



SOT-23



Dimensions in inch and (millimeter)

Maximum Ratings ($T_A = 25^\circ\text{C}$ unless otherwise noted)

Parameter	Symbol	Value	Unit
Reverse Voltage	V_R	40	V
Average Forward Current	I_F	200	mA
Non-Repetitive Peak Forward Surge Current at $t_p=8.3\text{ms}$	I_{FSM}	1	mA
Operating Junction Temperature Range	T_J	-55 to +125	$^\circ\text{C}$
Storage Temperature Range	T_{stg}	-55 to +150	$^\circ\text{C}$

Electrical Characteristics ($T_A = 25^\circ\text{C}$ unless otherwise specified)

Parameter	Conditions	Symbol	Min.	Typ.	Max.	Unit
Reverse Breakdown Voltage	$I_R=100\mu\text{A}$	$V_{(BR)R}$	40	-	-	V
Forward Voltage	$I_F=10\text{mA}$	V_F	-	-	300	mV
	$I_F=100\text{mA}$		-	-	420	
	$I_F=200\text{mA}$		-	-	550	
Reverse Current	$V_R=30\text{V}$	I_R	-	-	15	μA
	$V_R=30\text{V}, T_J=100^\circ\text{C}$		-	-	3	mA
Diode Capacitance	$V_R=0\text{V}, f=1\text{MHz}$	C_d	-	23	50	pF



BAT721H / AH / CH / SH

SCHOTTKY BARRIER DIODES

RATINGS AND CHARACTERISTIC CURVES

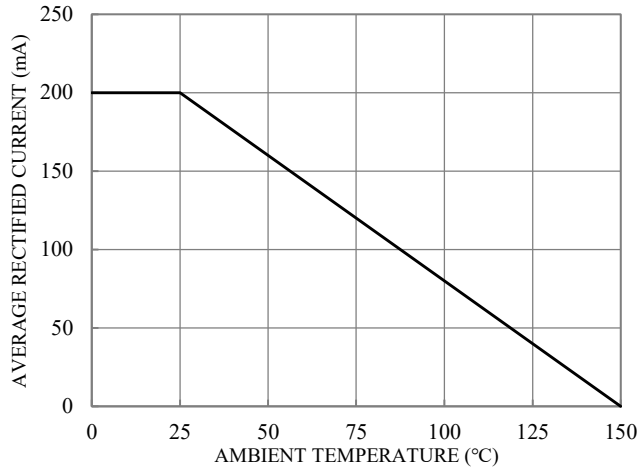


Fig. 1-FORWARD CONTINUOUS CURRENT DERATING CURVE

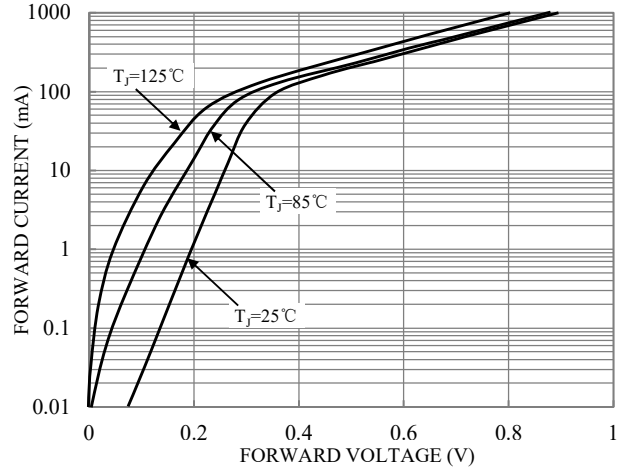


Fig. 2-FORWARD CHARACTERISTICS CURVE

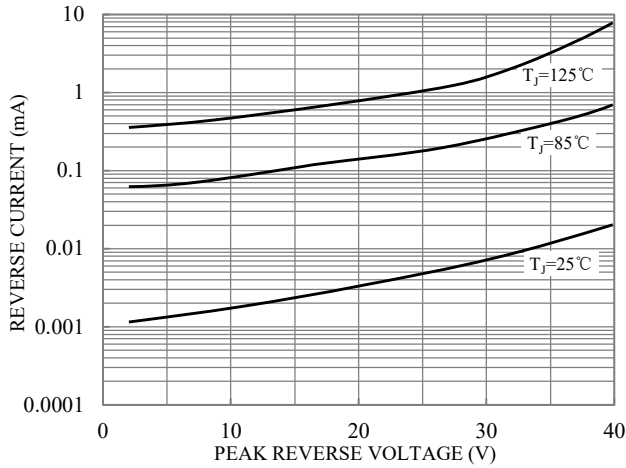


Fig. 3-REVERSE CHARACTERISTICS CURVE

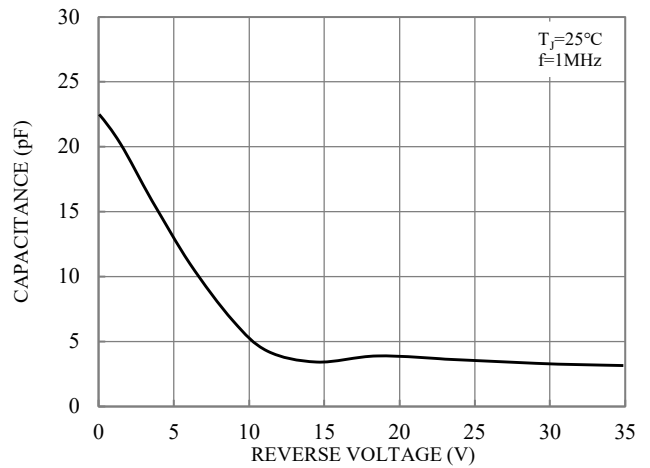


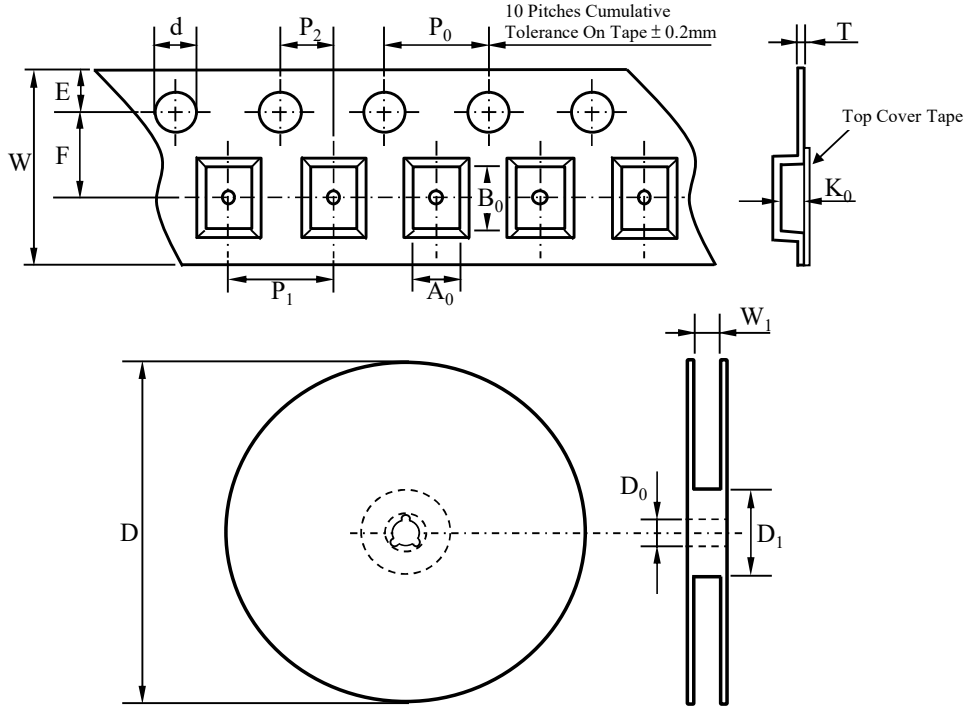
Fig. 4-CAPACITANCE



BAT721H / AH / CH / SH

SCHOTTKY BARRIER DIODES

TAPE & REEL SPECIFICATION



Item	Symbol	SOT-23
Carrier width	A_0	*
Carrier length	B_0	
Carrier depth	K_0	
Sprocket hole	d	1.65 ± 0.10
Reel outside diameter	D	178.00 ± 2.00
Feed hole width	D_0	13.00 ± 0.50
Reel inner diameter	D_1	MIN. 50.00
Sprocket hole position	E	1.75 ± 0.10
Punch hole position	F	3.50 ± 0.10
Sprocket hole pitch	P_0	4.00 ± 0.10
Punch hole pitch	P_1	4.00 ± 0.10
Embossment center	P_2	2.00 ± 0.10
Overall tape thickness	T	0.20 ± 0.05
Tape width	W	8.00 ± 0.20
Reel width	W_1	MAX. 14.50

Note *: A_0 , B_0 , and K_0 are determined by component size. The clearance between the components and the cavity must be within 0.05 mm min. to 0.5 mm max.

ORDER INFORMATION

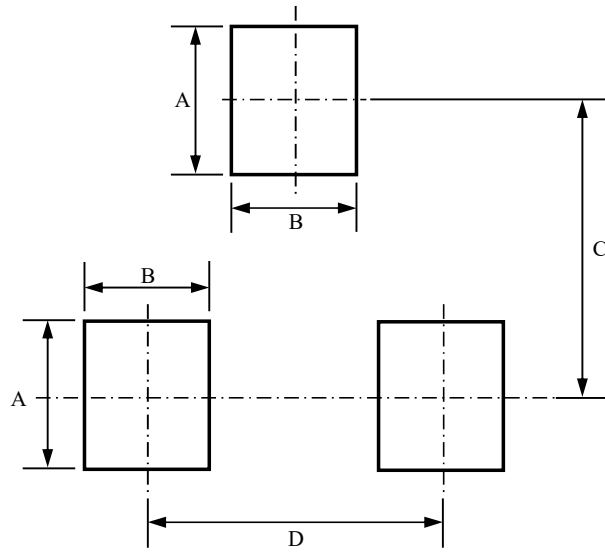
Part Number	Marking Code	Quantity
BAT721H	L7	3,000
BAT721AH	L8	
BAT721CH	L9	
BAT721SH	L0	



BAT721H / AH / CH / SH

SCHOTTKY BARRIER DIODES

SUGGESTED SOLDER PAD LAYOUT



Unit :mm

PACKAGE	A	B	C	D
SOT-23	1.00	0.80	2.00	1.90