



1N4933 THRU 1N4937

FAST RECOVERY RECTIFIER

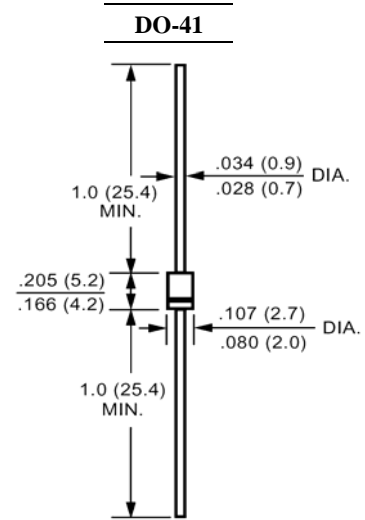
REVERSE VOLTAGE: 50 to 600 VOLTS
FORWARD CURRENT: 1.0 AMPERE

FEATURES

- High surge current capability
- Void-free Plastic in a DO-41 package.
- Fast switching for high efficiency
- Exceeds environmental standards of MIL-S-19500/228
- Low leakage.
- Suffix "H" indicates Halogen-free parts, ex. 1N4933H

MECHANICAL DATA

Case : Molded plastic, DO-41
 Epoxy : UL 94V-O rate flame retardant
 Lead : Axial leads, solderable per MIL-STD-202,
 method 208 guaranteed
 Polarity : Color band denotes cathode end
 Mounting position : Any



Dimensions in inches and (millimeters)

Maximum Ratings and Electrical Characteristics

Ratings at 25°C ambient temperature unless otherwise specified.
 Single phase, half wave, 60Hz, resistive or inductive load.
 For capacitive load, derate current by 20%.

Parameter	Symbols	1N4933	1N4934	1N4935	1N4936	1N4937	Units
Maximum Recurrent Peak Reverse Voltage	V_{RRM}	50	100	200	400	600	Volts
Maximum RMS Voltage	V_{RMS}	35	70	140	280	420	Volts
Maximum DC Blocking Voltage	V_{DC}	50	100	200	400	600	Volts
Maximum Average Forward Rectified Current .375"(9.5mm) Lead Length	$I_{(AV)}$	1.0					Amp
Peak Forward Surge Current, 8.3ms single half-sine-wave superimposed on rated load (JEDEC method)	I_{FSM}	30.0					Amp
Maximum Forward Voltage at 1.0A DC and 25 °C	V_F	1.2					Volts
Maximum Reverse Current at $T_A=25^\circ C$ at Rated DC Blocking Voltage $T_A=100^\circ C$	I_R	5.0 50					μ Amp
Typical Junction Capacitance (Note 1)	C_J	12					pF
Typical Thermal Resistance (Note 2)	$R_{\theta JA}$	50.0					°C/W
Maximum Reverse Recovery Time (Note 3)	T_{RR}	200					nS
Operating and Storage Temperature Range	T_J, T_{stg}	-55 to +150					°C

NOTES:

- 1- Measured at 1 MHz and applied reverse voltage of 4.0 VDC.
- 2- Thermal Resistance Junction to Ambient and from junction to lead at 0.375"(9.5mm) lead length P.C.B. Mounted.
- 3- Reverse Recovery Test Conditions : $I_F=1.0A, V_R=30V$



1N4933 THRU 1N4937

FAST RECOVERY RECTIFIER

RATINGS AND CHARACTERISTIC CURVES

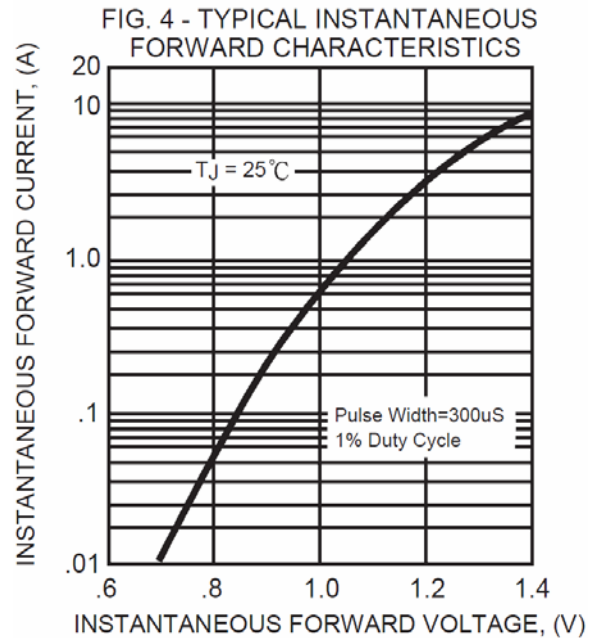
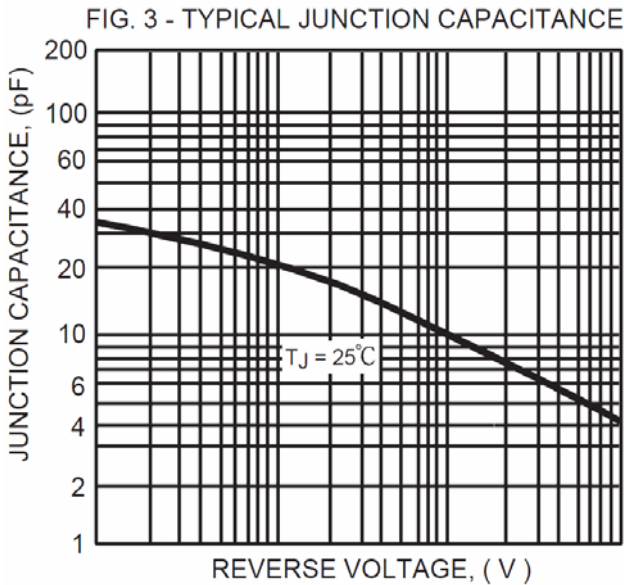
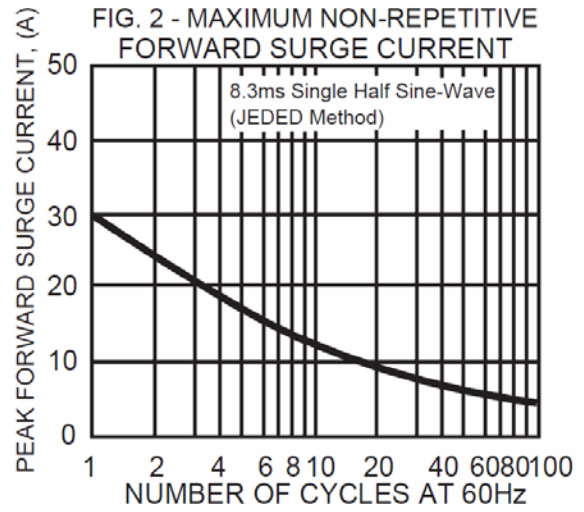
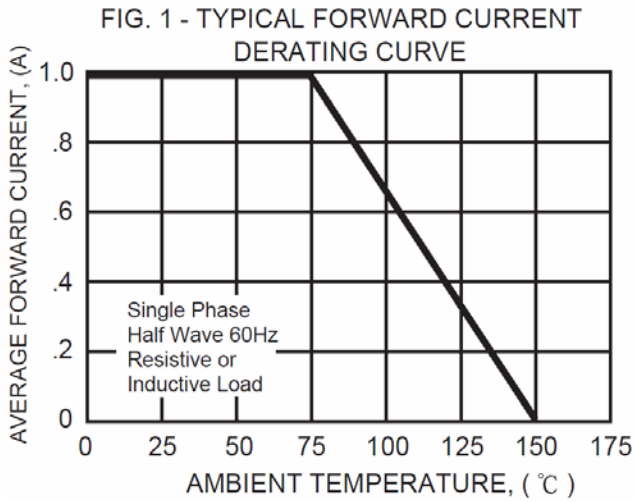
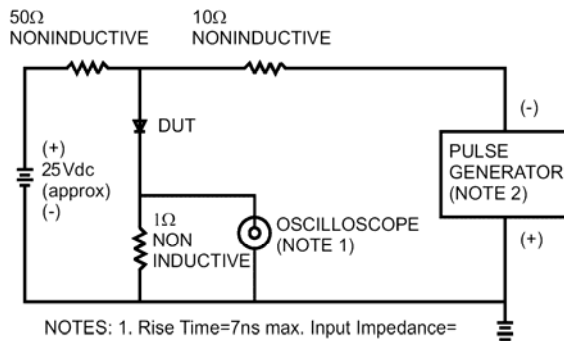


FIG.5- REVERSE RECOVERY TIME CHARACTERISTIC AND TEST CIRCUIT DIAGRAM



NOTES: 1. Rise Time=7ns max. Input Impedance=1 megohm 22pf
2. Rise Time=10ns max. Source Impedance=50 ohms

