

BAV99

FAST SWITCHING DIODES

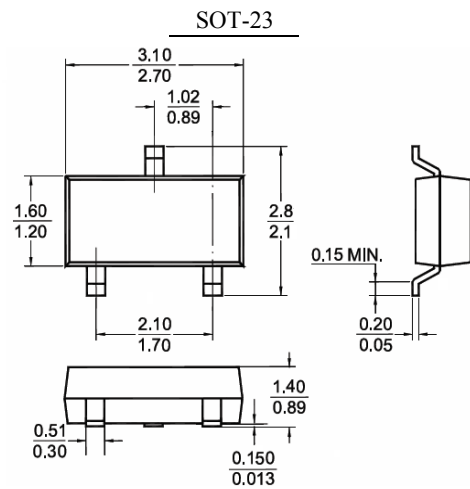
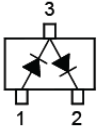


REVERSE VOLTAGE: 70 VOLTS

POWER DISSIPATION: 225 mWATTS

FEATURES

- Fast Switching Speed
- High Conductance
- Suffix "H" indicates Halogen-free parts, ex. BAV99H



Dimensions in inches and (millimeter)

Maximum Ratings@ $T_A = 25^\circ\text{C}$

Parameter	Symbol	Value	Unit
Reverse Voltage	V_R	70	V
Forward Current	I_F	200	mA
Power Dissipation	P_{TOT}	225	mW
Thermal Resistance Junction to Ambient Air	$R_{\theta JA}$	556	$^\circ\text{C}/\text{W}$
Junction Temperature	T_J	150	$^\circ\text{C}$
Storage Temperature Range	T_{STG}	-55 to +150	$^\circ\text{C}$

Electrical Characteristics@ $T_A = 25^\circ\text{C}$

Parameter	Conditions	Symbol	Min	Max	Unit
Reverse Breakdown Voltage	$I_R = 100\mu\text{A}$	V_R	70	-	V
Forward Voltage	$I_F = 1\text{mA}$	V_F	-	715	mV
	$I_F = 10\text{mA}$		-	855	
	$I_F = 50\text{mA}$		-	1000	
	$I_F = 150\text{mA}$		-	1250	
Reverse current	$V_R = 70\text{V}$, $T_J = 25^\circ\text{C}$	I_R	-	2.5	μA
Typical Junction Measured at Capacitance	$V_R = 0$, $f = 1\text{MHz}$	C_J	-	1.5	pF
Reverse Recovery Time	$I_F = I_R = 10\text{mA}$, $I_{rr} = 0.1 \times I_R$, $R_L = 100\Omega$	t_{rr}	-	6	nS

BAV99

FAST SWITCHING DIODES

Typical Characteristics

