

HER301G THRU HER308G

HIGH EFFICIENCY RECTIFIER

REVERSE VOLTAGE: 50 to 1000 VOLTS

FORWARD CURRENT: 3.0 AMPERE

FEATURES

- Plastic package has Underwriters Laboratory Flammability Classification 94V-O utilizing Flame Retardant Epoxy Molding Compound.
- Ultra Fast switching for high efficiency.
- High speed switching
- Glass Passivated Die Construction
- Suffix "H" indicates Halogen-free parts, ex. HER301GH

MECHANICAL DATA

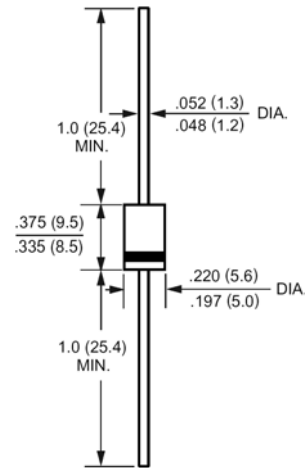
Case : Molded plastic, DO-201AD

Terminals : Axial leads, solderable per MIL-STD-202, method 208 guaranteed

Polarity : Band denotes cathode

Mounting position : Any

DO-201AD



Dimensions in inches and (millimeters)

Maximum Ratings and Electrical Characteristics

Ratings at 25°C ambient temperature unless otherwise specified.

Single phase, half wave, 60Hz, resistive or inductive load.

For capacitive load, derate current by 20%.

Parameter	Symbols	HER301G	HER302G	HER303G	HER304G	HER305G	HER306G	HER307G	HER308G	Units	
Maximum Recerrent Peak Reverse Voltage	V_{RRM}	50	100	200	300	400	600	800	1000	Volts	
Maximum RMS Voltage	V_{RMS}	35	70	140	210	280	420	560	700	Volts	
Maximum DC Blocking Voltage	V_{DC}	50	100	200	300	400	600	800	1000	Volts	
Maximum Average Forward Rectified Current .375"(9.5mm) Lead Length	$I_{(AV)}$	3.0								Amp	
Peak Forward Surge Current, 8.3ms single half-sine-wave superimposed on rated load (JEDEC method)	I_{FSM}	150.0								Amp	
Maximum Forward Voltage at 3.0A and $T_A=25^\circ\text{C}$	V_F	1.0			1.3		1.85			Volts	
Maximum Reverse Current at $T_J=25^\circ\text{C}$ at Rated DC Blocking Voltage $T_J=100^\circ\text{C}$	I_R	10.0				200					uAmp
Typical Junction Capacitance (Note 1)	C_J	70					50				pF
Maximum Reverse Recovery Time (Note 2)	T_{RR}	50					75				nS
Typical Thermal Resistance (Note 3)	$R_{\theta JA}$	40.0								°C/W	
Operating and Storage Temperature Range	T_J, T_{stg}	-65 to +150								°C	

NOTES:

1- Measured at 1 MHz and applied reverse voltage of 4.0 VDC.

2- Reverse Recovery Test Conditions: $I_F=5A$, $I_R=1A$, $I_{RR}=25A$.

3- Thermal Resistance form junction to Ambient at 0.375"(9.5mm) lead length P.C.B. Mounted.

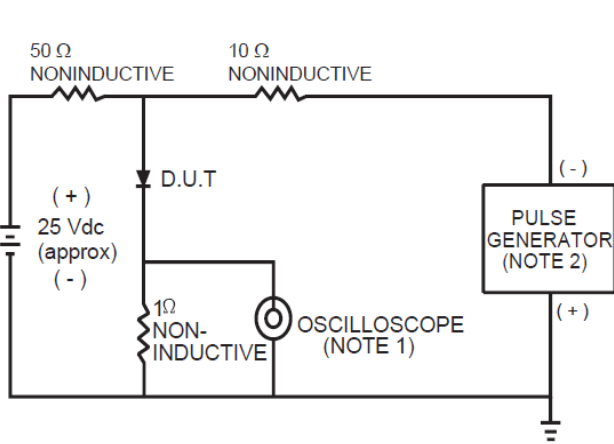
HER301G THRU HER308G

HIGH EFFICIENCY RECTIFIER

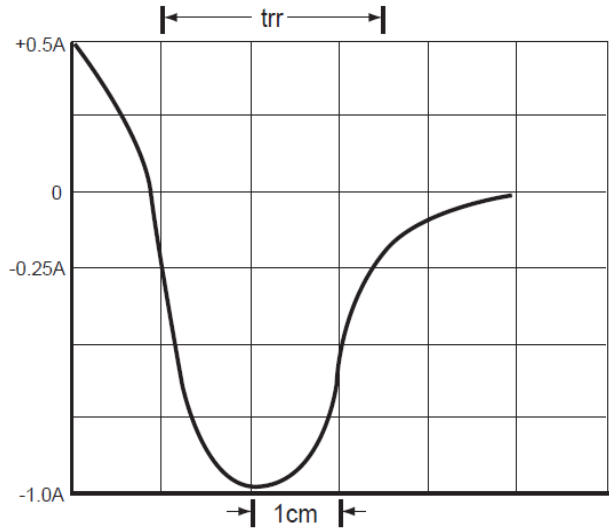


RATINGS AND CHARACTERISTIC CURVES

FIG.1 TEST CIRCUIT DIAGRAM AND REVERSE RECOVERY TIME CHARACTERISTIC



- NOTES: 1 Rise Time = 7ns max. Input Impedance = 1 megohm. 22pF.
2. Rise Time = 10ns max. Source Impedance = 50 ohms.



SET TIME BASE FOR 20/1 ns/cm

FIG.2 TYPICAL FORWARD CURRENT DERATING CURVE

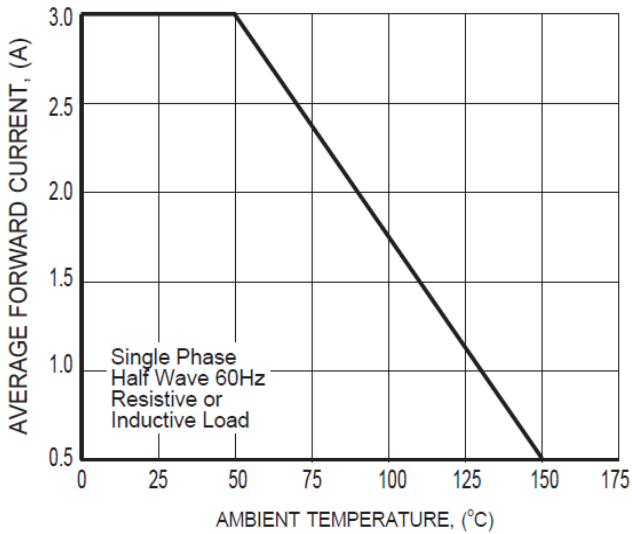


FIG.3 TYPICAL REVERSE CHARACTERISTICS

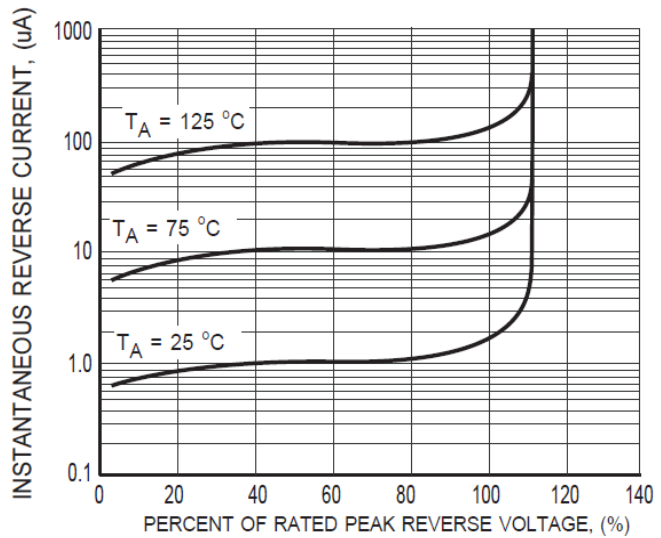


FIG.4 TYPICAL INSTANTANEOUS FORWARD CHARACTERISTICS

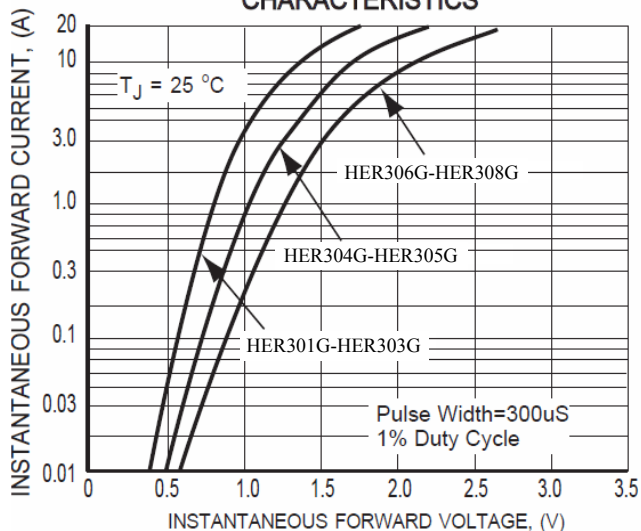


FIG.5 MAXIMUM NON-REPETITIVE FORWARD SURGE CURRENT

