



SE05L6BPDA

ESD Protection Diode

FEATURES

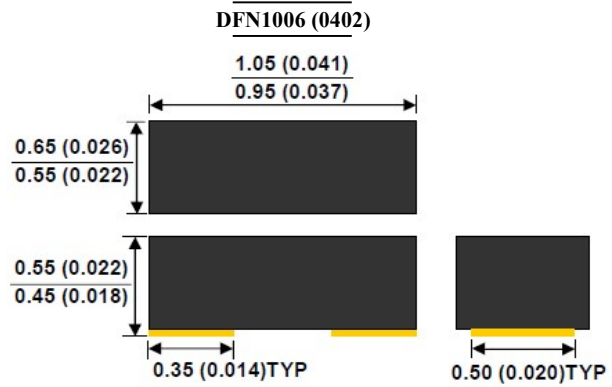
- Meet IEC61000-4-2 (ESD)±15kV (air),±8kV (contact)
- Protects one bi-directional I/O line
- Working Voltage : 5V, typical capacitance :0.3pF
- Suffix "H" indicates Halogen-free parts, ex. SE05L6BPDAH

APPLICATIONS

- Cell Phone Handsets and Accessories
- Notebooks, Desktops, and Servers
- PCI express, SATA, USB 2.0,DVI, Display port
- Portable Instrumentation

MECHANICAL DATA

Case : DFN1006(0402) mold package
 Terminal : Au/Sn plated, solderable per
 MIL-STD-750, method 2026
 High temperature soldering guaranteed : 260°C/10second



Dimensions in inches and (millimeters)

PIN CONFIGURATION



Maximum Ratings (Rating at 25°C ambient temperature unless otherwise specified)

Parameter	Symbol	Value	Units
Peak Pulse Power (tp=8/20μs waveform)	P _{PP}	30	W
ESD per IEC 61000-4-2 (Air)	V _{ESD}	±15	kV
ESD per IEC 61000-4-2 (Contact)		±8	
Operating Junction Temperature Range	T _J	-55 to +125	°C
Storage Temperature Range	T _{STG}	-55 to +150	°C



SE05L6BPDA

ESD Protection Diode

Electrical Characteristics (Rating at 25°C ambient temperature unless otherwise specified)

Parameter	Symbol	Min	Typ.	Max	Units
Reverse Stand-Off Voltage	V_{RWM}	-	-	5	V
Reverse Breakdown Voltage	$I_R = 1\text{mA}$ $V_{(BR)}$	6.0	7.8	-	V
Reverse Leakage Current	$V_R = 5\text{V}$ I_R	-	-	50	nA
Clamping Voltage	$I_{pp} = 1\text{A}$, $t_p = 8/20\mu\text{s}$ V_C	-	-	14	V
Junction Capacitance	Between I/O Pin and GND $V_R=0\text{V}$, $f=1\text{MHz}$ C_J	-	0.3	0.6	pF

RATINGS AND CHARACTERISTIC CURVES

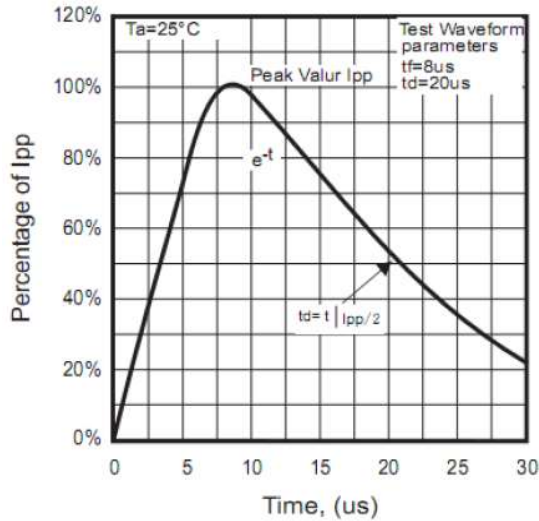


Fig.1 - 8/20 μs Peak Pulse Current Wave Form Acc. IEC 61000-4-5

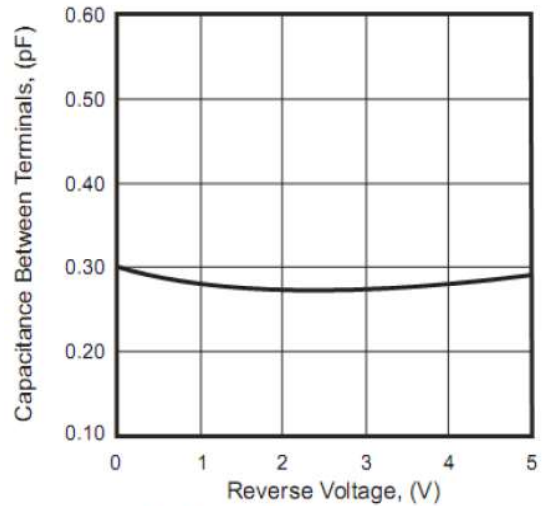


Fig.2 - Typical Capacitance Between Terminals Characteristics

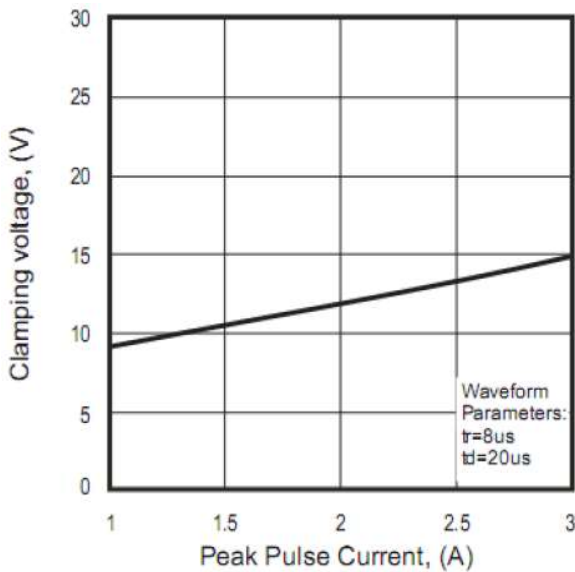


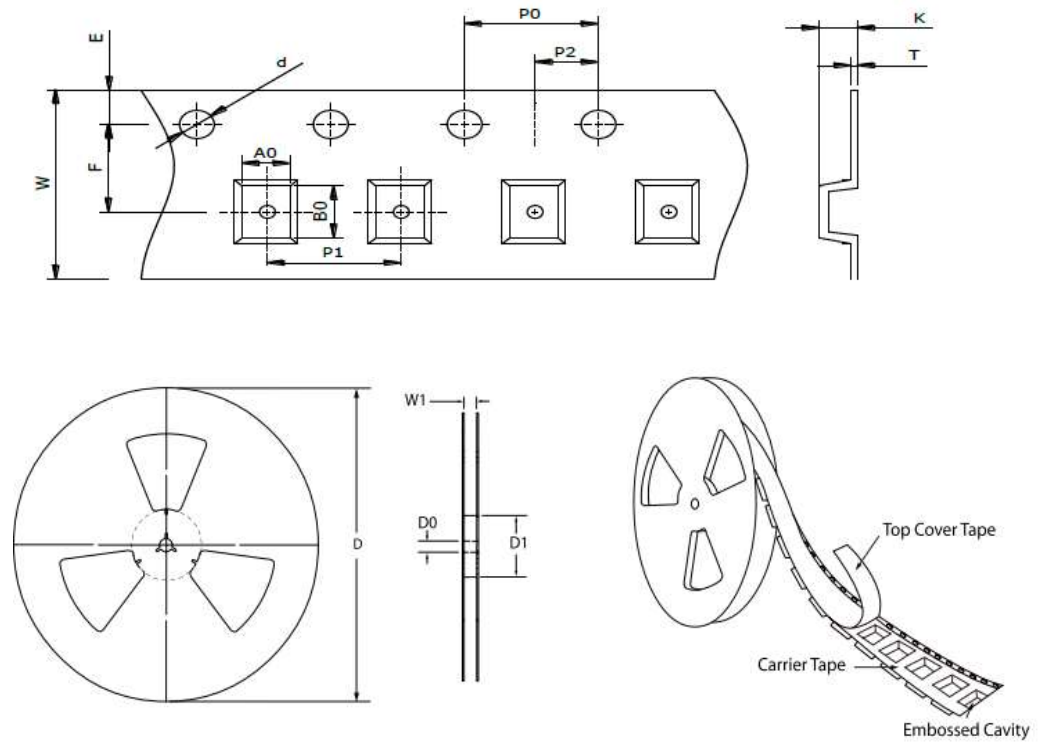
Fig.3 - Clamping Voltage Vs. Peak Pulse Current



SE05L6BPDA

ESD Protection Diode

TAPE & REEL SPECIFICATION



Item	Symbol	DFN1006 (0402)
Carrier width	A ₀	0.67 ± 0.10
Carrier length	B ₀	1.12 ± 0.10
Carrier depth	K	0.60 ± 0.10
Sprocket hole	d	1.50 ± 0.10
Reel outside diameter	D	178.00 ± 2.00
Feed hole width	D ₀	13.00 ± 0.20
Reel inner diameter	D ₁	MIN. 54.00
Sprocket hole position	E	1.75 ± 0.10
Punch hole position	F	3.50 ± 0.10
Sprocket hole pitch	P ₀	4.00 ± 0.10
Punch hole pitch	P ₁	4.00 ± 0.10
Embossment center	P ₂	2.00 ± 0.10
Overall tape thickness	T	0.22 ± 0.05
Tape width	W	8.00 ± 0.20
Reel width	W ₁	MAX. 13.50

ORDER INFORMATION

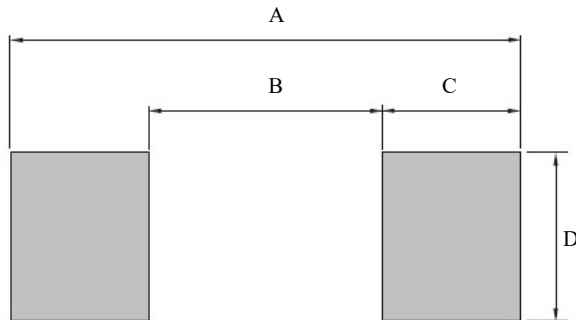
Package	Reel Size	Quantity
DFN1006 (0402)	7"	10,000



SE05L6BPDA

ESD Protection Diode

SUGGESTED SOLDER PAD LAYOUT



Unit : mm

PACKAGE	A	B	C	D
DFN1006 (0402)	1.30	0.30	0.50	0.70